



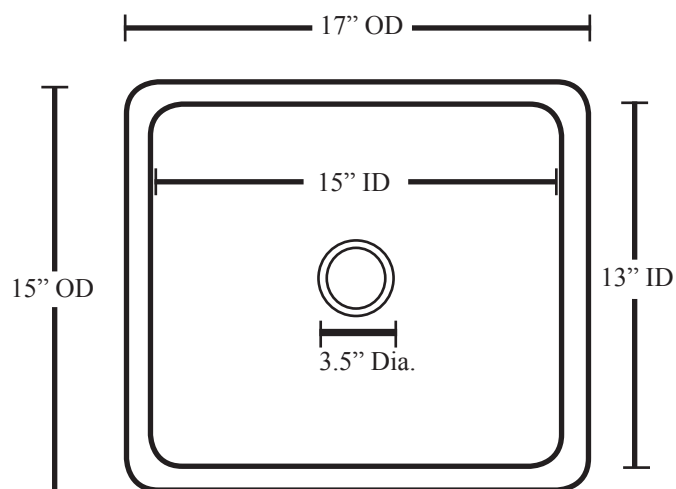
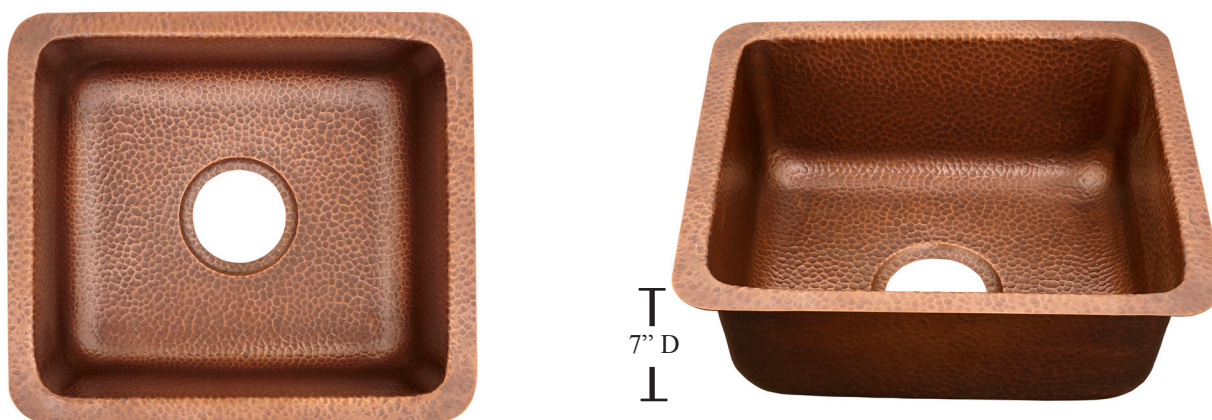
# THOMPSON TRADERS

## Chatham KPU-1715HA-F

### SINK DETAILS

- Bar/Prep Sink
- Hand Hammered Solid Copper 16 Gauge
- Medium Antique Finish
- Coordinating Drain Available: TDB35-AC
- Mounting Options: Under Mount or Drop-In
- Limited Lifetime Warranty

OD: 17" x 15" x 7"  
ID: 15" x 13" x 7"



Your copper sink is handmade and therefore a work of art. Each sink is unique and can vary 1/4" in either direction. We highly recommend waiting to receive your sink before cutting your counter top.