

UC-24RO



## FEATURES

Controls temperature within one degree of setpoint

Locks in cold air to ensure freshness with magnetic door seals

Control brightness of interior

Clean shelves easily with adjustable spill-proof glass shelving

Locate items quickly with utility bins

## ACCESSORIES

Dual Installation Kit

Accessories are available through an authorized dealer.  
For local dealer information, visit [subzero-wolf.com/locator](http://subzero-wolf.com/locator).



## PRODUCT DETAILS

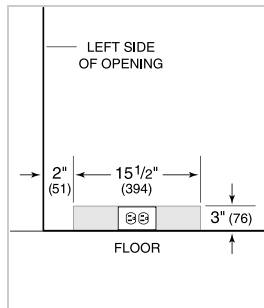
### REFRIGERATOR

- 3 glass shelves (2 adjustable; 1 stationary)
- 3 door bins
- 1 storage bin

**PRODUCT SPECIFICATIONS**

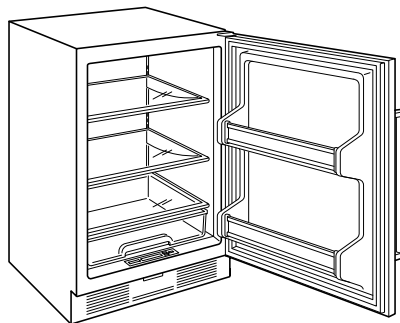
Model	UC-24RO
Dimensions	23 7/8"W x 34"H x 24"D
Door Clearance	25 3/8"
Weight	130 lbs
Refrigerator Capacity	5.7 cu. ft.
Electrical Supply	115 VAC, 60 Hz
Electrical Service	15 amp dedicated circuit
Receptacle	3-prong grounding-type, GFCI

**ELECTRICAL**



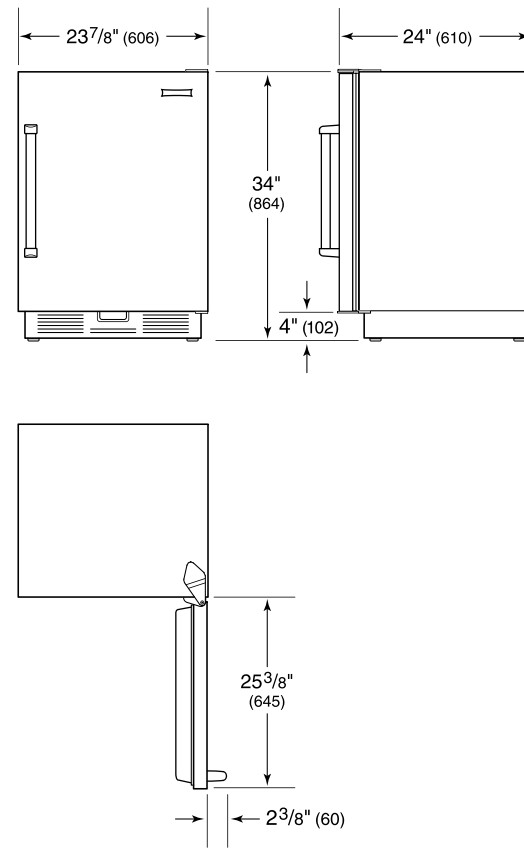
NOTE: Dimensions in parenthesis are in millimeters unless otherwise specified

**INTERIOR VIEW**

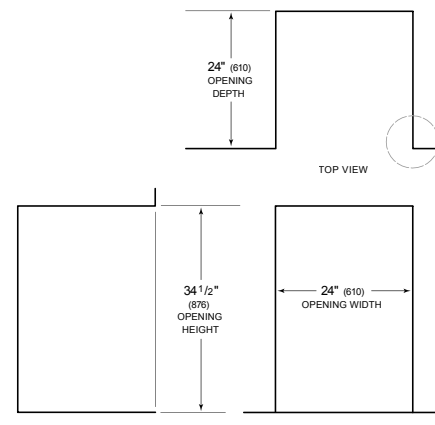


This illustration is intended for interior reference only and may not represent the exterior of the model being specified.

**DIMENSIONS**



**STANDARD INSTALLATION**



NOTE: 3 1/2" (89) finished returns will be visible and should be finished to match cabin

