



**Features**

- Unique quarter-deck design provides shelf space for storage and cleaning.
- Surface texture maintains superior stain and scratch resistance.
- Drill marks provided for faucet hole drilling.

**Material**

- Compression molded from our exclusive solid Vikrell® material.

**Installation**

- Installed as top-mount or undermount.



**Codes/Standards**



CSA B45.5/IAPMO Z124  
All applicable US Federal and State material regulations  
Greenguard UL 2818 - Gold

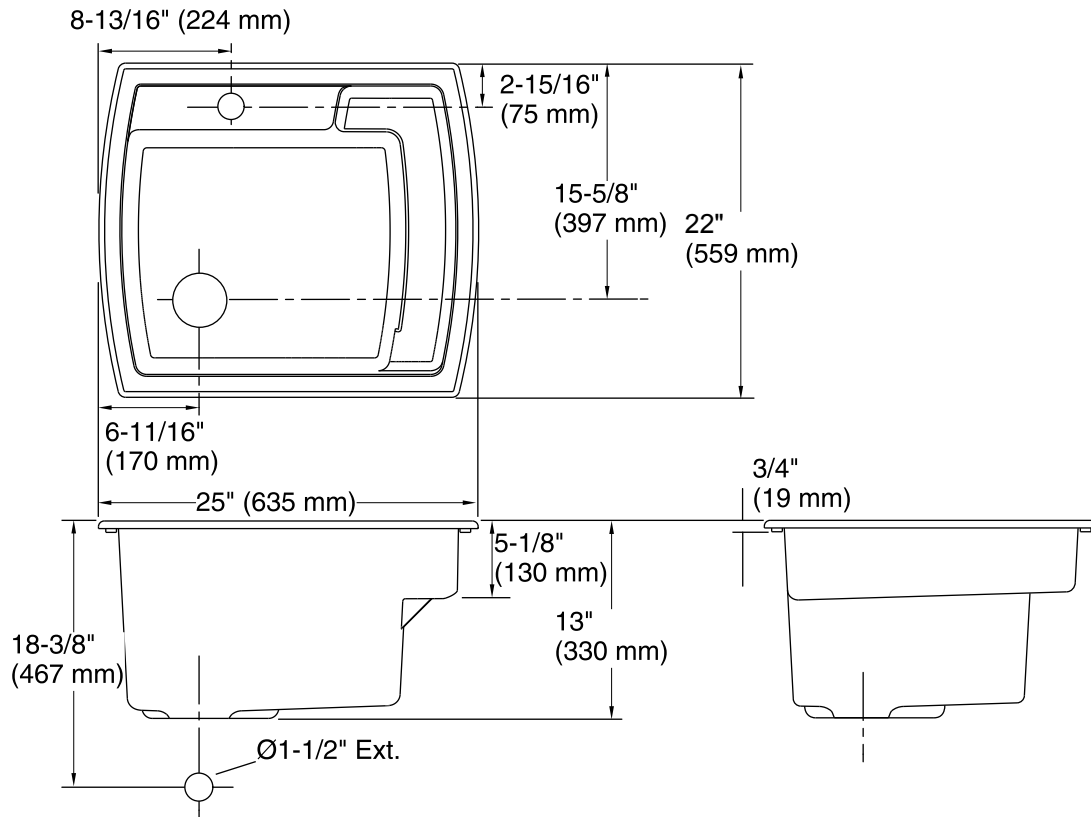
**STERLING® Warranty - Fixtures Made of Solid Vikrell Material**

See website for detailed warranty information.

**Available Color/Finishes**

*Color tiles intended for reference only.*

Color	Code	Description
	0	White
	96	KOHLER Biscuit



### Technical Information

All product dimensions are nominal.

Bowl configuration:	Single
Installation:	Top-mount, Under-mount
Bowl area (Only)	Length: 22" (559 mm) Width: 16" (406 mm) Bowl depth: 12-1/4" (311 mm) Water depth: 12-1/4" (311 mm)
Number of deck holes:	3
Faucet hole(s):	1-3/8" (35 mm)
Drain hole:	3-1/2" (89 mm)
Template:	1148620-7, required, included

### Notes

Install this product according to the installation instructions.