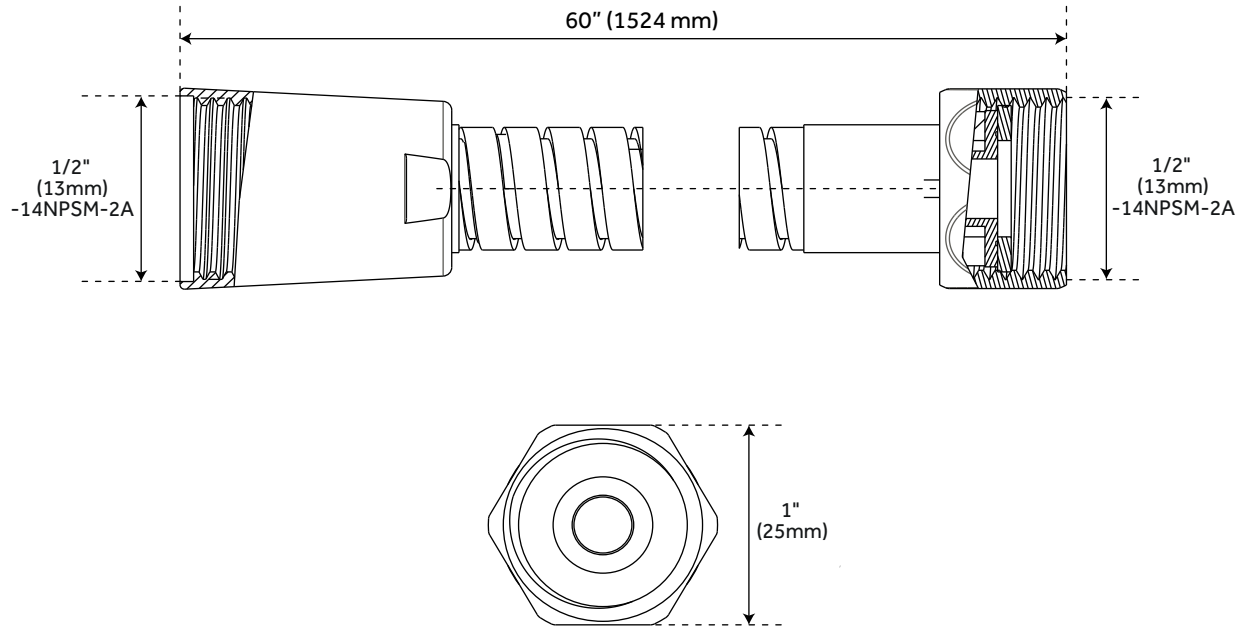


60" STRETCHABLE

METAL HAND SHOWER HOSE

SKU: 948938



FEATURES

Length: 60"
NPT Connection: 1/2"
Double Spiral Construction
Metal Conical Nut

CODES/STANDARDS

cUPC
ASME A112.18.1/CSA B125.1
Massachusetts Accepted

SIGNATURE HARDWARE LIFETIME WARRANTY

See website for warranty information



All dimensions and specifications are nominal and may vary. Use actual products for accuracy in critical situations.

REVISED 01/10/2020
Code: SHH1010BN/SHH1010CP
SHH1010MB/SHH1010ORB/SHH1010PN