

# EDENTON

## THERMOSTATIC SHOWER VALVE TRIM

SKU: 948911



### CONTENTS

|             |        |
|-------------|--------|
| TRIM .....  | PAGE 2 |
| VALVE ..... | PAGE 3 |

### FEATURES

- Material: Brass
- Shape: Round
- Handle Type: Lever
- Features: Thermostatic
- Assembly Required: No
- Installation Type: Wall
- Metal Lever Handle
- Temperature Outlet Factory Preset to 104 Degrees Fahrenheit
- Temperature Can Be Easily Adjusted Up and Down to User's Comfort Level
- Scald Guard Protection
- High Temperature Limit Stop
- Thermostatic Technology Keeps Shower Temperature Within 1 Degree Celsius
- For Proper Installation, Requires Use of Volume Control Valve and Trim
- Optional Rough-In Valve

### SIGNATURE HARDWARE Lifetime Warranty

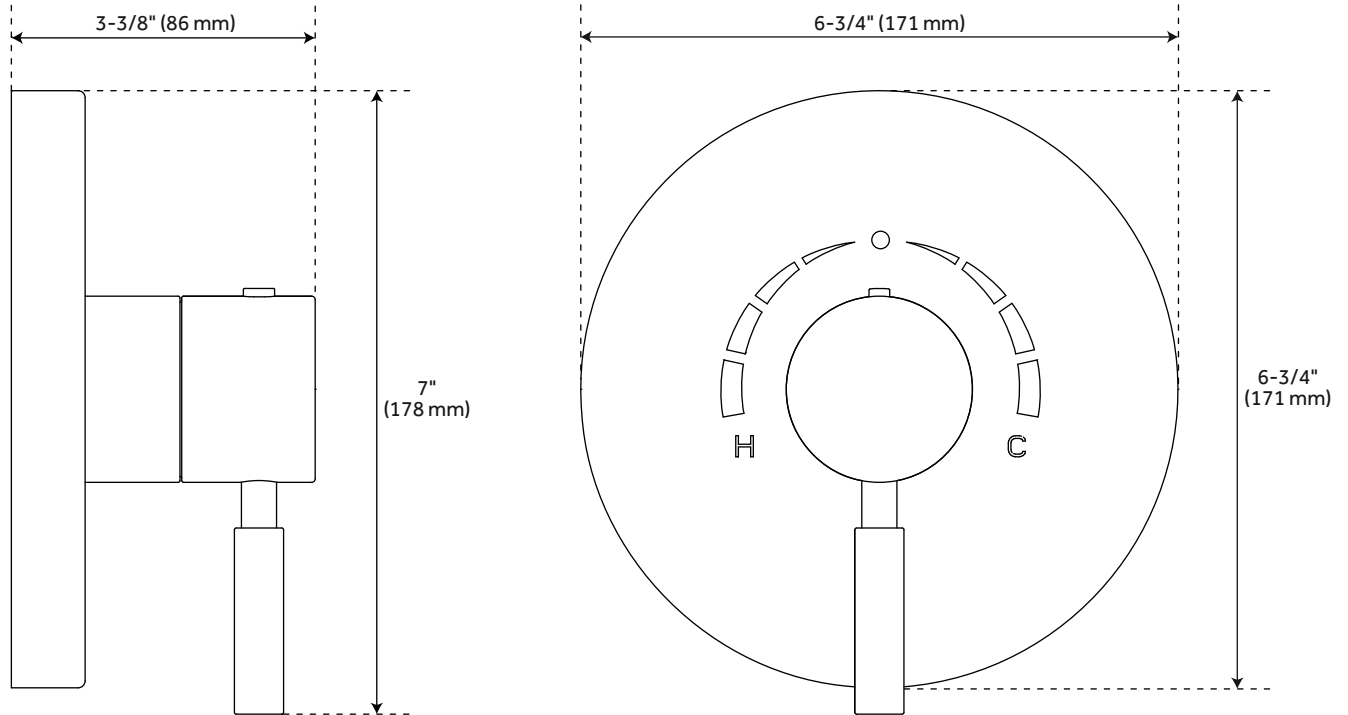
See website for detailed warranty information.

REVISED 01/14/2020

# EDENTON

## THERMOSTATIC TRIM

SKU: 948911



### FEATURES

- Width: 6-3/4"
- Height: 6-3/4"
- Depth: 3-3/8"
- Wall Thickness Range: 1" to 1-3/4"

### CODES/STANDARDS

- cUPC
- ASME A112.18.1/CSA B125.1
- ADA compliant (when installed according to ADA standards)
- Massachusetts Accepted

### SIGNATURE HARDWARE LIFETIME WARRANTY

See website for warranty information



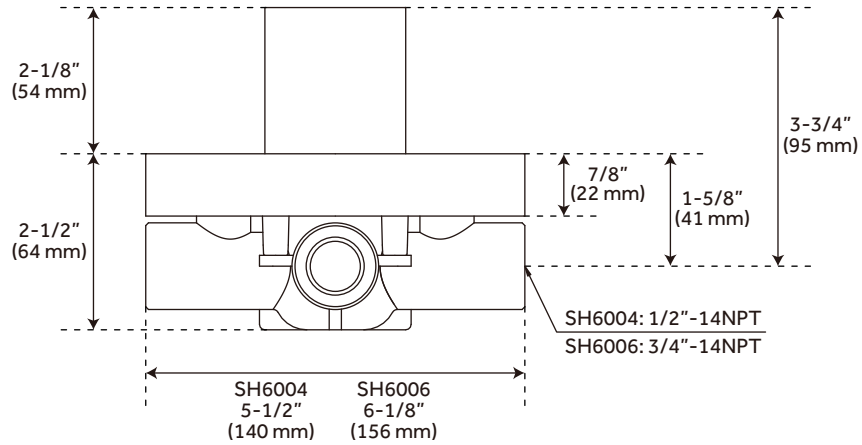
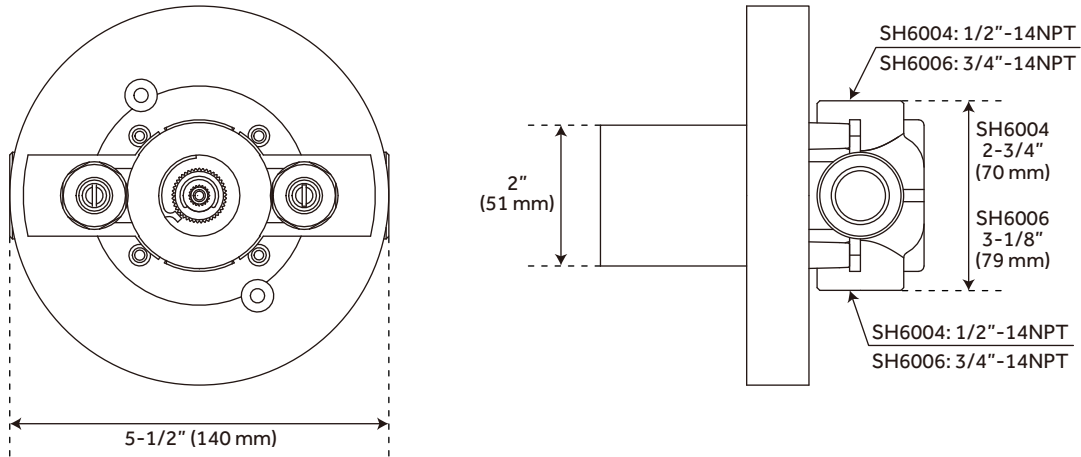
All dimensions and specifications are nominal and may vary. Use actual products for accuracy in critical situations.

PAGE 2  
Code: SHED9009BN/SHED9009CP

# EDENTON

## OPTIONAL THERMOSTATIC VALVE WITH 1/2" -OR- 3/4" CONNECTION

SKU: 948911



### FEATURES

- Bronze Valve Body
- Ceramic Cartridge
- Integral Water Stops and Check Valve
- Recommended Valve Installation Depth 1-5/8" to 2-3/8"
- Must Be Installed in Accordance With Provided Installation Instructions

### CODES/STANDARDS

- cUPC
- ASME A112.18.1/CSA B125.1
- ASSE 1016 Type T

### SIGNATURE HARDWARE LIFETIME WARRANTY

See website for warranty information



All dimensions and specifications are nominal and may vary. Use actual products for accuracy in critical situations.

PAGE 3  
Code: SH6004/SH6006