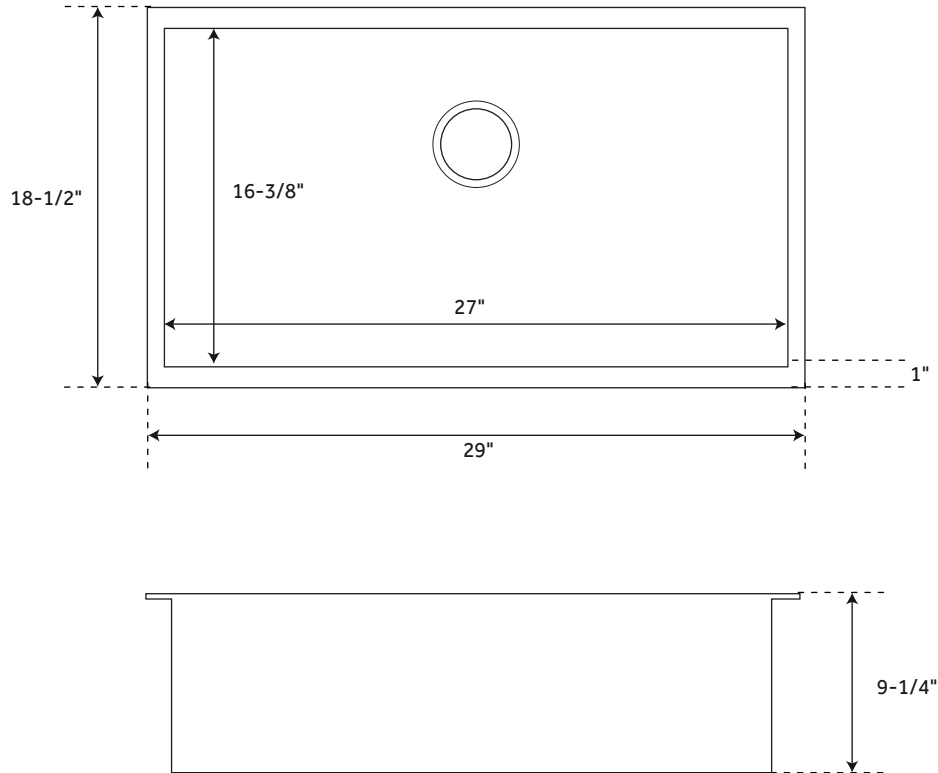


29" ORTEGA

STAINLESS STEEL UNDERMOUNT KITCHEN SINK

SKU: 948562



FEATURES

Water depth to rim: 9"
Drain size: 3-1/2"

CODES/STANDARDS

cUPCASME A112.19.3/CSA B45.7

SIGNATURE HARDWARE LIFETIME WARRANTY

See website for warranty information



All dimensions and specifications are nominal and may vary. Use actual products for accuracy in critical situations.

REVISED 9/20/2019
Code: SHORUC2918