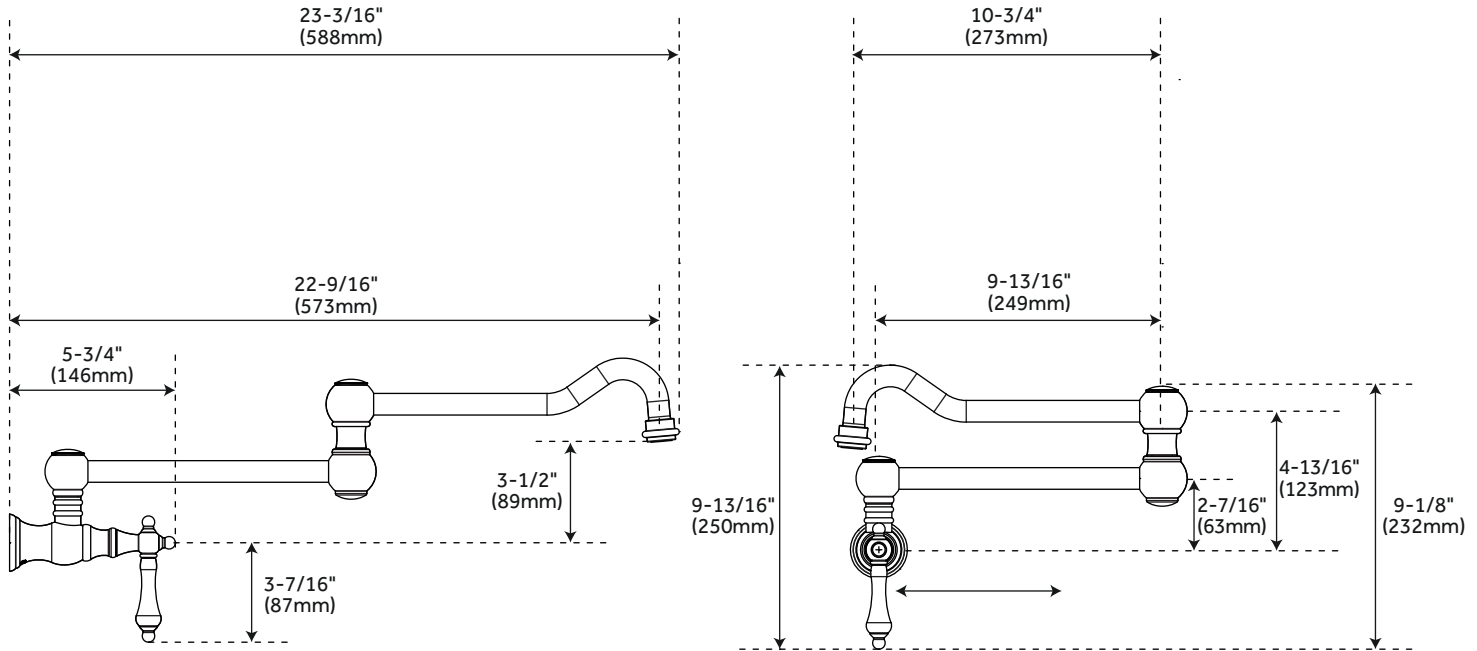


AMBERLEY

RETRACTABLE WALL-MOUNT POT FILLER

SKU: 948539



FEATURES

Installation Type: Single-Hole
Faucet Holes: 1
Faucet Centers: Single-Hole
Handle Type: Lever
Design: Modern
Faucet Material: Brass
Length: 1-1/2"
Width: 23-3/16"
Height: 9-13/16"
Height To Spout: 3-1/2"
Spout Reach: 22-9/16"
Swivel Spout: Yes
Base Plate Diameter: 2"
Handle Length: 3-7/16"
Ceramic Disc Cartridges: Yes
Maximum Flow Rate: 6.0 gpm
(gallons per minute)

CODES/STANDARDS

cUPC
ASME A112.18.1/CSA B125.1
ICC/ANSI A117.1 (when installed
according to ADA standards)
NSF/ANSI 61
NSF/ANSI 372
Massachusetts Accepted



SIGNATURE HARDWARE LIFETIME WARRANTY

See website for warranty information



All dimensions and specifications are nominal and may vary. Use actual products for accuracy in critical situations.

REVISED 11/19/2019
Code: SHXAM105CP/SHXAM105SS/SHXAM105PN