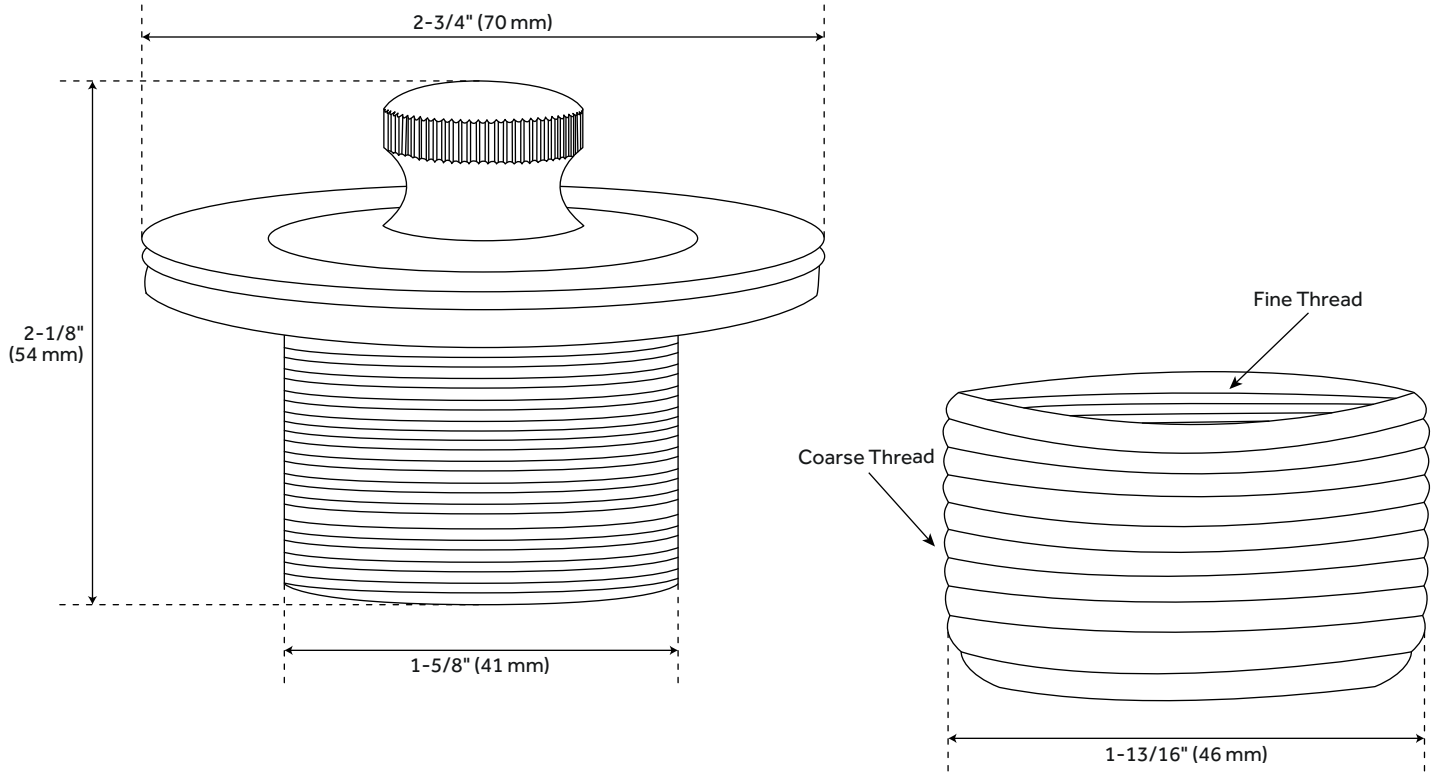


# LIFT & TURN

## TUB DRAIN WITH ADAPTER SLEEVE

SKU: 948037



### FEATURES

Material: Brass  
Solid Brass Construction With  
Plastic Bushing  
Connection Size: 1-1/4" & 1-1/2"  
Drain Diameter: 2-3/4"  
Drain Height: 2-1/8"

### SIGNATURE HARDWARE LIFETIME WARRANTY

See website for warranty information



All dimensions and specifications are nominal and may vary. Use actual products for accuracy in critical situations.

REVISED 07/24/2019  
CODE: SH612BN, SH612CP,  
SH612ORB, SH612PB, SH612PN