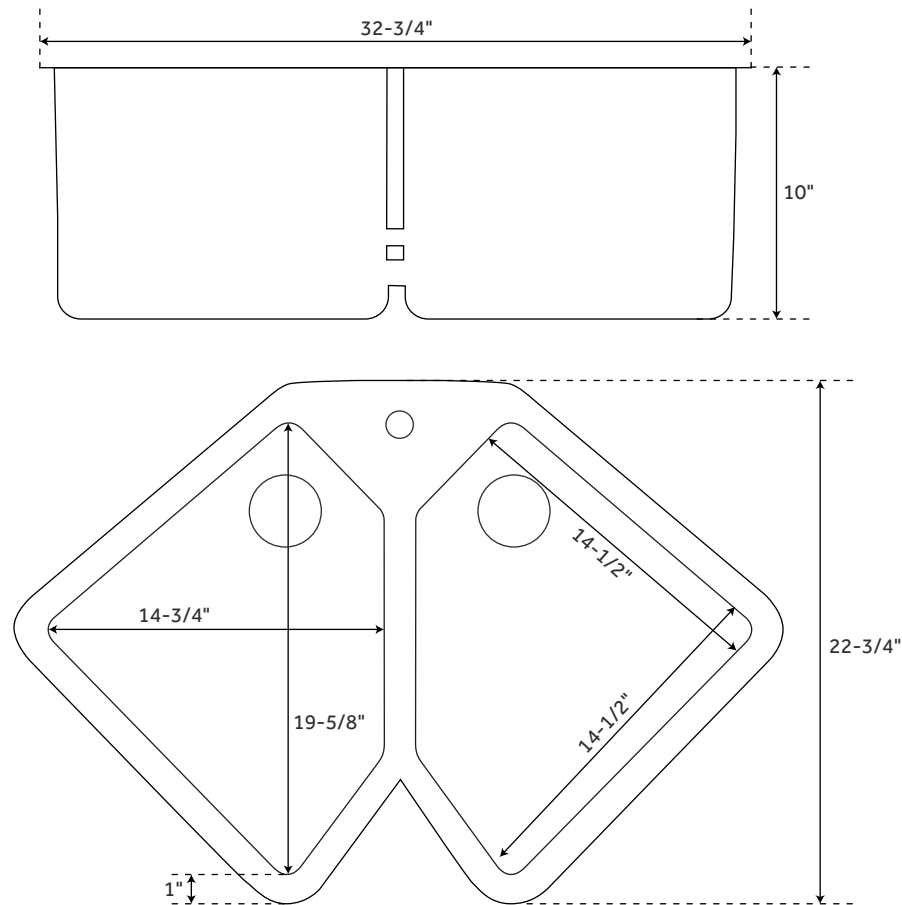


33" INFINITE

CORNER STAINLESS STEEL UNDERMOUNT SINK

SKU: 918648



FEATURES

Material: Stainless Steel
Basin Split: 50/50
Shape: Specialty
Sink Installation: Undermount
Faucet Centers: Single-Hole
Number of Basins: 2
Product Color: Stainless Steel
Length: 32-3/4"
Width: 22-3/4"
Height: 10"
Basin Length: 14-3/4"
Basin Width: 19-5/8"
Water Depth to Rim: 10"
Rim Thickness: 1"
Metal Gauge/Thickness: 16 Gauge
Faucet Included: No
Faucet Holes: 1
Drain Size: 3-1/2"

SIGNATURE HARDWARE LIFETIME WARRANTY

See website for warranty information



All measurements are approximate. Measurements may vary +/- 1/2".

REVISED 06/21/2019