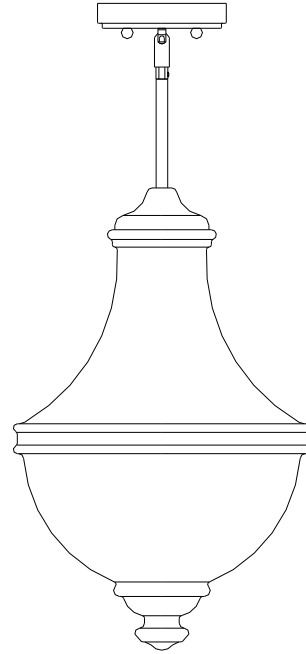


PARK HARBOR™

Pendant

PHPL5231PN

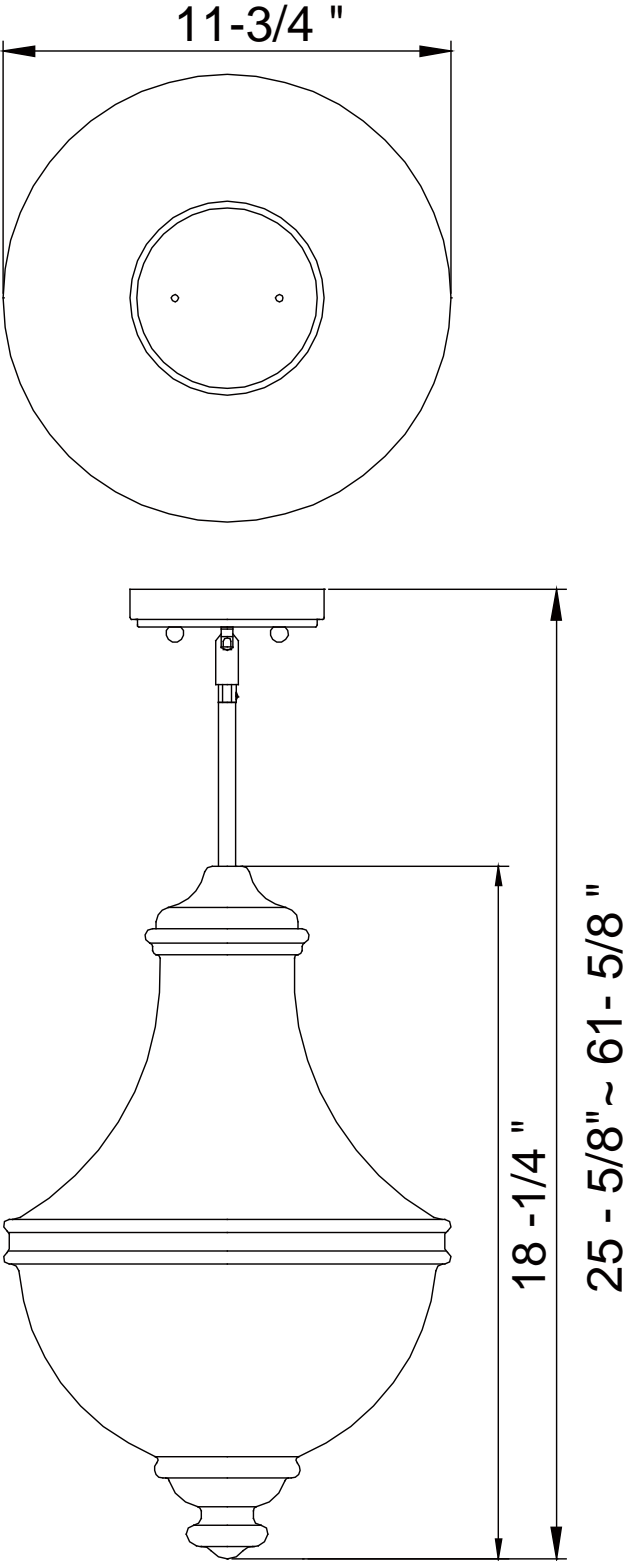


- . 1-Light Pendant in Polished Nickel
- . No special tools needed for assembly
- . Wattage: Uses one 60W medium base lamp max

See dimensional drawing on back.

© 2015 Ferguson Enterprises, Inc. 00000 MO/YR

PARKHARBORLIGHTING.COM



PHPL5231PN