

Recessed Inlet™

FV-NLF46RES

Specification Submittal Data / Panasonic Recessed Inlet

Description:

Multi-purpose exhaust or supply recessed inlet for use with remote mount in-line fans and HERVs; or as a light only option matching the WhisperRecessed LED™ fan/light. Recessed inlet shall be ceiling mount and certified by the Home Ventilating Institute (HVI). Recessed inlet shall include energy efficient LED lighting, be evaluated by Underwriters Laboratories and conform to both UL and cUL safety standards.

Housing:

- Rust proof epoxy and polyester resin coating, 26 gauge galvanized steel body.
- Integrated dual 4" or 6" diameter duct adapter.
- Metal flange around recessed light aperture helps provide an Air Barrier and assists with the decrease in leakage in the Building Envelope during blower door testing.
- Built in backdraft damper.
- Expandable extension bracket up to 24".
- Double hanger bar system allowing for ideal positioning.



(1) 11 Watt GU24 base LED lamp/2700 Kelvin Warm White/>90CRI/750 lumens/68 LPW/ENERGY STAR 2.0 certified/25,000 hours rated average life.

Trim Ring:

- Attractive design using Poly Pro material.
- Attaches directly to housing with torsion springs.

Light (Included):

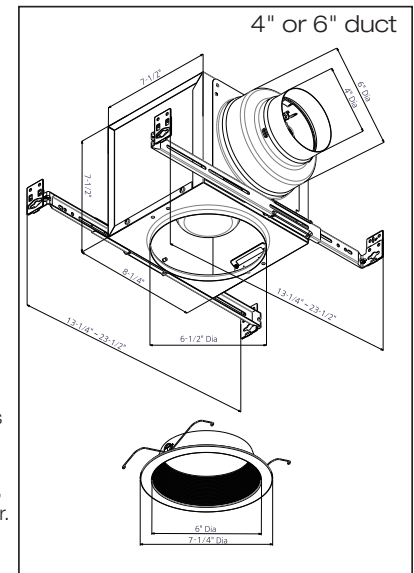
- One 11W, ENERGY STAR 2.0 certified, GU24 base LED lamp.
- 2700 Kelvin Warm White/>90CRI/750 lumens/68 LPW/25,000 hours rated average life.
- LED lamp is dimmable.
- FCC Part 15 compliant.

Warranty:

- ALL Parts: 3 Years from original purchase date.
- LED: 5 years from original purchase date.

Architectural Specifications:

Exhaust or supply recessed inlet shall be ceiling mount. Inlet housing collar opening shall be no less than 6-1/2" round, with a trim outer diameter of no less than 7-1/4" round. Power rating shall be 120v/60Hz. Duct diameter shall be no less than 4", inclusive of an integrated dual 4" or 6" duct adapter. Inlet shall be UL and cUL listed for tub/shower enclosure when GFCI protected. Inlet housing shall be Type IC. Inlet can be used to comply with California Title-24. Lamp shall be of the LED type and be no less than (1)11W, ENERGY STAR 2.0 certified, GU24 base LED lamp that maintains 25,000 hours rated average life.



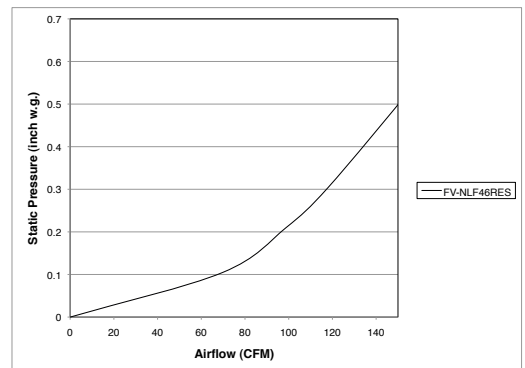
FV-NLF46RES

Dimmer Switch Compatibility				
Brand	Series	Model	Load	Dimmability
Lutron	Eco-dim	D-603PG	600W	OK
	Maestro	MA-600	600W	OK*
	Diva	DV-600PR	600W	OK
	SkyLark	S-600	600W	OK
	Toggler	G-600PR	600W	OK
Leviton	Vizia +	VP106	600W	OK
Cooper	Aspire	9540	1000W	OK

*Minimum 3 lamps

Specifications: Recessed Inlet FV-NLF46RES	4" or 6" Duct
Power Rating (V/Hz)	120/60

Resistance Curve 4" or 6" duct



For complete Installation Instructions visit us.panasonic.com/ventfans

Model	Quantity	Comments	Project:
			Location:
			Architect:
			Engineer:
			Contractor:
			Submitted by:
			Date:

Panasonic Eco Solutions North America
Eco Products Division
Two Riverfront Plaza
Newark, NJ 07102

us.panasonic.com/ventfans



Panasonic