

Specification Submittal Data / Panasonic Ventilation Fan with Motion Sensor

3" or 4" Duct

Description:

Ventilating fan with motion sensor shall be low sone ceiling mount rated for continuous operation. Fan shall be ENERGY STAR[®] rated and certified by the Home Ventilating Institute (HVI). Evaluated by the Underwriters Laboratories and conform to both UL and cUL standards.

Motor/Blower:

- Four-pole totally enclosed condenser AC motor rated for continuous use.
- Fan ventilation rates shall be manually adjustable for 80 or 110 CFM.
- Power Rating shall be 120 volts and 60 Hz.
- Fan shall be UL and cUL listed for tub/shower enclosure when GFCI protected.
- Motor equipped with thermal cutoff fuse.
- Removable, permanently lubricated, plug-in motor.

Housing:

- Rust proof epoxy and polyester resin coating, 26 gauge galvanized steel body.
- 4" diameter duct with optional 3" adapter included.
- Built in backdraft damper.
- Articulating and expandable extension bracket up to 24".

Grille:

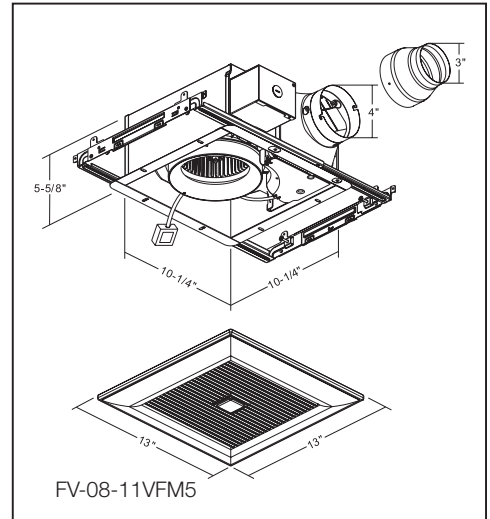
- Attractive design using Poly Pro material.
- Attaches directly to housing with torsion springs.

Warranty:

- ALL Parts: For period of 3 years from the date of the original purchase.

Architectural Specifications:

Ventilation fan with motion sensor shall be ceiling mount, ENERGY STAR[®] rated with built-in speed selector. Select from 80/110 CFM and no more than 0.3/0.8 sone as certified by the Home Ventilating Institute (HVI) at 0.1 wg with no less than 71/102 CFM and no more than 0.8/1.2 sone as certified by HVI at 0.25 w.g. Power Consumption shall be no greater than 21.6/27.0 watts at 0.1 w.g. and 21.1/26.8 watts at 0.25 w.g. with efficiency of no less than 3.7/4.1 CFM/watt at 0.1 w.g. and 3.3/3.8 CFM/watt at 0.25 w.g. Duct diameter shall be no less than 4" (3" if using the included duct adapter). The motor shall be fully enclosed, four pole condenser type engineered to operate continuously for no less than 30,000 hours. Power rating shall be 120v/60Hz. Housing material shall be no less than 26 gauge galvanized steel with rust proof epoxy and polyester resin coating. Fan shall be UL and cUL listed for tub/shower enclosure when GFCI protected. Fan can be used to comply with ASHRAE 62.2, LEED, ENERGY STAR[®] IAP, EarthCraft, California Title-24 and WA Ventilation Code.



See Following Page for Performance Curves

Specifications: WhisperFit[®] EZ FV-08-11VFM5		110 CFM Setting				80 CFM Setting			
		4" Duct		3" Duct		4" Duct		3" Duct	
Ventilation Fan Characteristics (HVI Certified Data)	Static Pressure in inches w.g.	0.1	0.25	0.1	0.25	0.1	0.25	0.1	0.25
	Air Volume (CFM)	110	102	100	88	80	71	70	59
	Noise (sones)	0.8	1.2	1.3	1.5	0.3	0.8	0.5	1.1
	Power Consumption (Watts)	27.0	26.8	26.8	26.3	21.6	21.1	21.4	20.8
	Energy Efficiency (CFM/Watt)	4.1	3.8	3.8	3.3	3.7	3.3	3.5	3.0
	Speed (RPM)	955	1174	1197	1352	847	1131	1008	1229
	Current (amps)	0.23	0.23	0.23	0.22	0.18	0.18	0.18	0.17
	MAX. Current (amps)	0.23		0.23		0.18		0.18	
	Power Rating (V/Hz)	120/60		120/60		120/60		120/60	
	ENERGY STAR rated	YES		YES		YES		YES	

0.25=Installed Performance

For complete Installation Instructions visit us.panasonic.com/ventfans

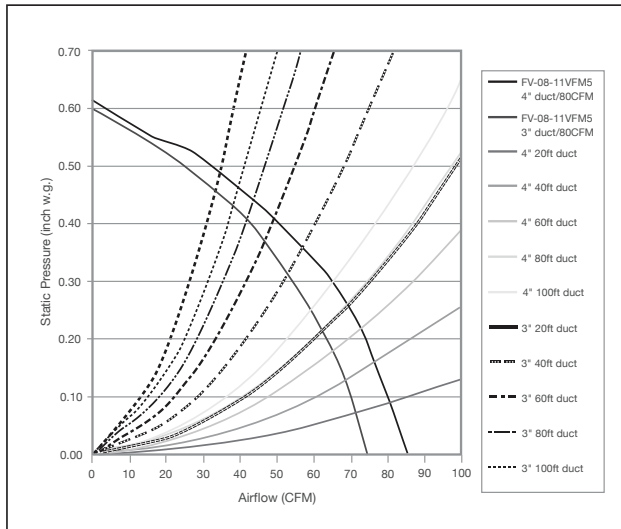
Model	Quantity	Comments	Project:
			Location:
			Architect:
			Engineer:
			Contractor:
			Submitted by:
			Date:

Panasonic Eco Solutions North America
Eco Products Division
Two Riverfront Plaza
Newark, NJ 07102

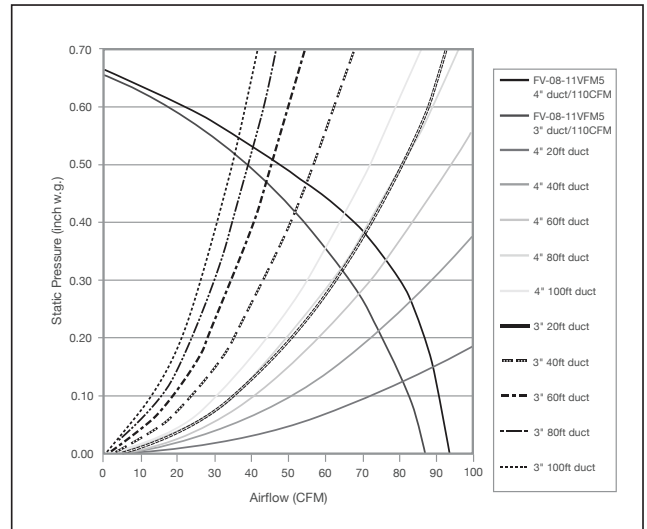
us.panasonic.com/ventfans



Performance Curve FV-08-11VFM5 - 80 CFM



Performance Curve FV-08-11VFM5 - 110 CFM



Model	Quantity	Comments	Project:
			Location:
			Architect:
			Engineer:
			Contractor:
			Submitted by:
			Date:

Panasonic Eco Solutions North America
Eco Products Division
Two Riverfront Plaza
Newark, NJ 07102

us.panasonic.com/ventfans

