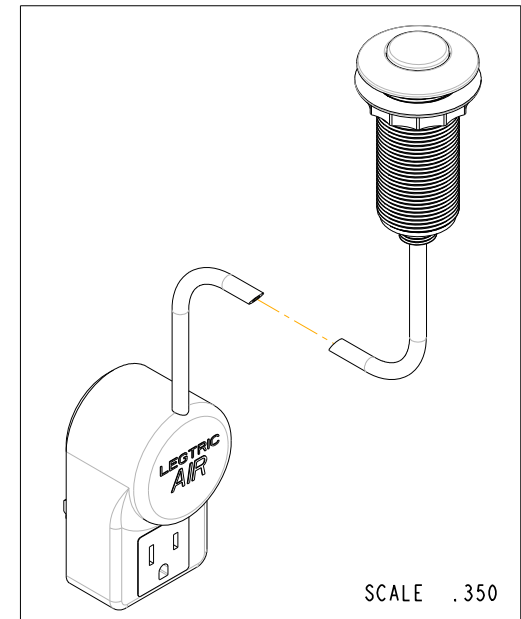
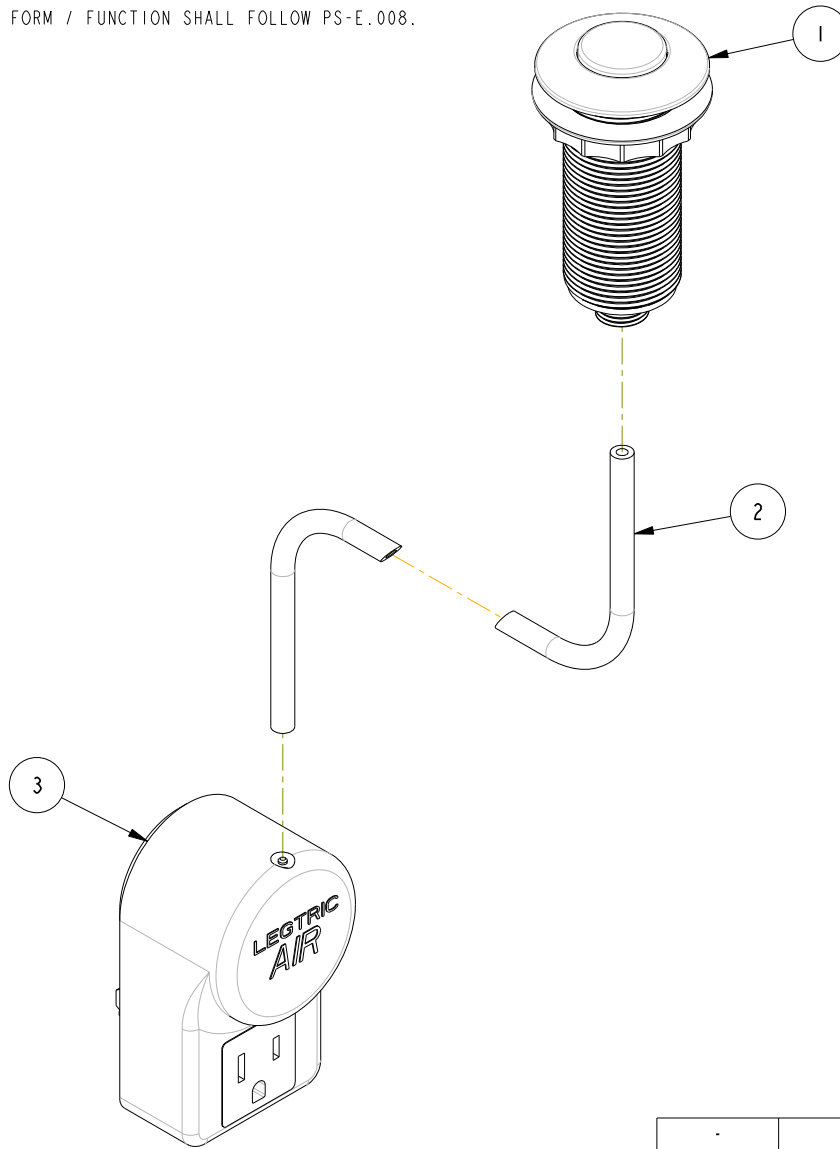


NOTES:

(N1) 1. FIT / FORM / FUNCTION SHALL FOLLOW PS-E.008.

BILL OF MATERIAL (CURRENT LEVEL)

ITEM	PT/ASSY	DESCRIPTION	TYPE	QTY.
1	2-824	AIR SWITCH	ASSEMBLY	1
2	91321	TUBING - PVC BLK (6ft)	PART	1
3	50648	ELECTRIC PLUG SWITCH	PART	1



TESTING	-	-	-
ASSEMBLY	-	-	-
PLATING	-	-	-
POLISHING	-	NEXT ASSY	USED ON
MACHINING	-	APPLICATION	
TOOLING FIXTURE #	REMOVE ALL BURRS AND SHARP EDGES		

UNITS ARE: INCHES [MM]
 TOLERANCES ARE:
 FRACTIONS DECIMALS ANGLES
 $\pm 1/16^{\circ}$.X $\pm .1$ (2.5) $\pm 1^{\circ}$
 .XX $\pm .06$ (1.5)
 (X.XXX) DENOTES CRITICAL DIMS.
 ALL THREADS ARE CRITICAL

DRAWN	AN	12/27/17
CHECKED	AN	12/27/17
APPROVED	JM	12/27/17

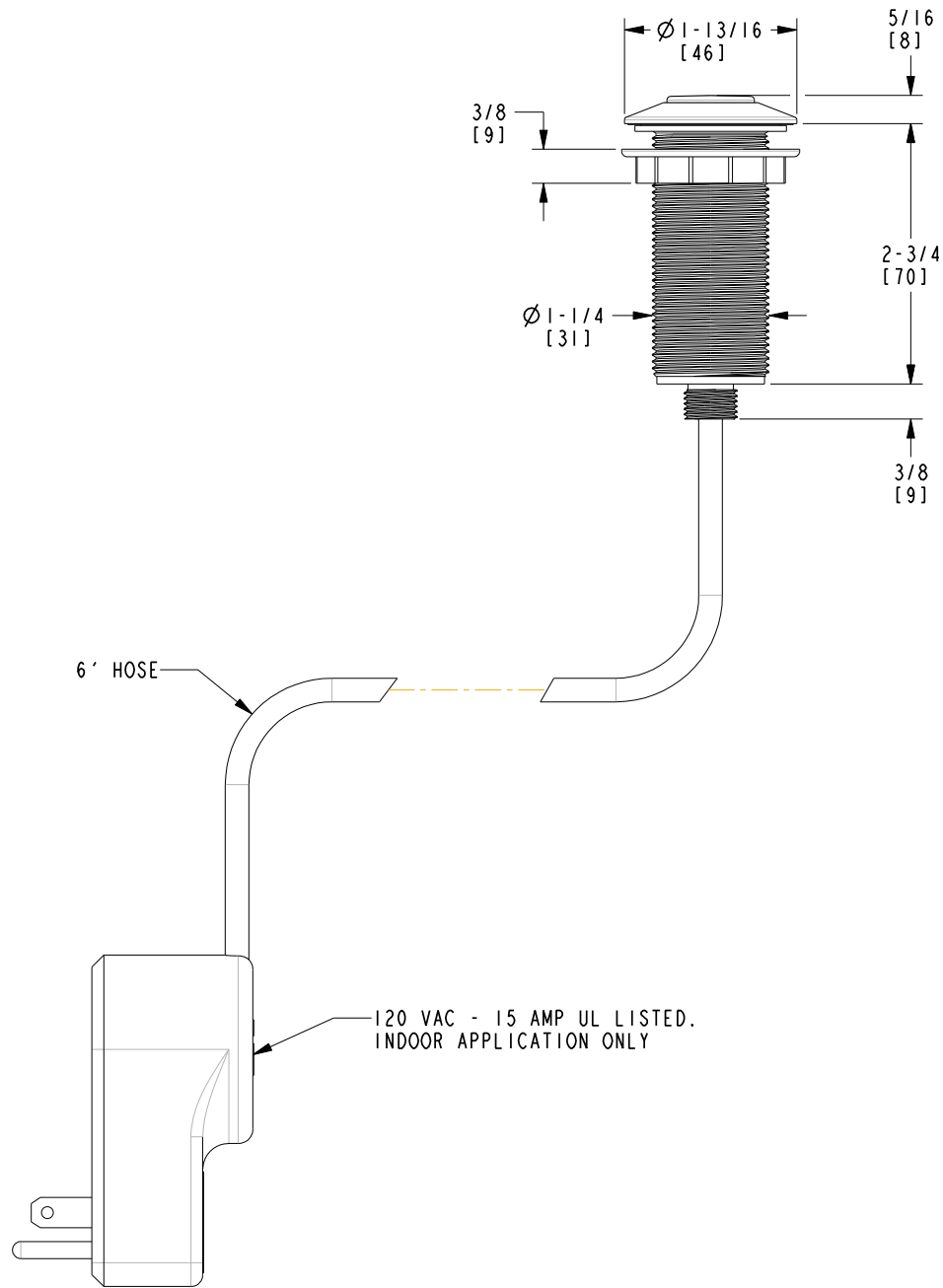
BRASSTECH 2001 CARNEGIE AVE.
 INCORPORATED SANTA ANA, CA 92705
 (949) 417-5207

AIR ACTV ELECTRIC SWITCH

ZONE	REV	DESCRIPTION	DATE	APPROVED
-	B	EN-3368a	12/28/17	JM
-	A	EN-2041	01/11/12	-
-	-	RELEASED	02/11/03	-

COPYRIGHT 2005 BRASSTECH, INC.
 THESE DRAWINGS AND THE DESIGNS
 DEPICTED HEREIN ARE THE PROPRIETARY
 PROPERTY OF BRASSTECH. ANY USE
 OR REPRODUCTION IS SUBJECT TO
 THE EXPRESS APPROVAL OF BRASSTECH.
 UNAUTHORIZED USE IS STRICTLY
 PROHIBITED. ALL RIGHTS RESERVED.

DWG NO.	111	REV	B
SCALE	.500	REF.	-
SHEET	1	OF	2



BRASSTECH		2001 E. CARNEGIE AVE. SANTA ANA, CA 92705 (949) 417-5207	
DWG NO.		REV	B
SCALE	.500	REF.	-
SHEET		2	OF 2