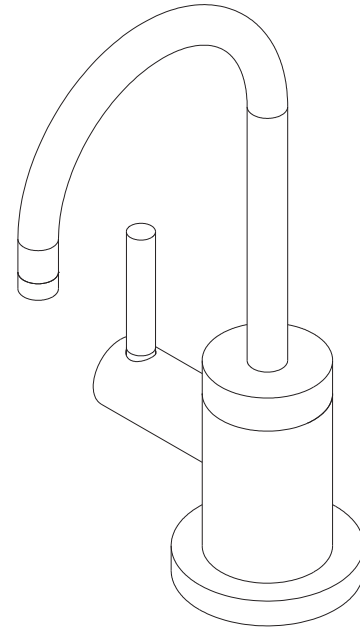


EAST LINEAR

Hot Water Dispenser Faucet

106H



Colors / Finishes

- 10B: Oil Rubbed Bronze
- 15: Polished Nickel
- 15A: Antique Nickel
- 26: Polished Chrome

• Other: Refer to the Newport Brass catalog for additional color/finish options.

Features

- Solid brass construction
- Quarter-turn washerless ceramic disc valve cartridge
- ADA compliant contemporary hot lever handle
- Spout assembly with integral supply hoses
- Spring-loaded, normally closed lever handle
- 6-1/4" (15.9 cm) spout height at outlet
- 4" (10.2 cm) spout reach (c-c)
- 1.5 gallons (5.7 liters) per minute maximum flow rate
- For single hole configurations

Codes / Standards Compliance

Meets or exceeds the following at date of manufacture:

- ASME A112.18.1/CSA B125.1
- IAPMO/cUPC
- IPC
- NSF 61
- ADA
- Energy Policy Act of 1992
- All applicable US Federal and State material regulations

Specified Model

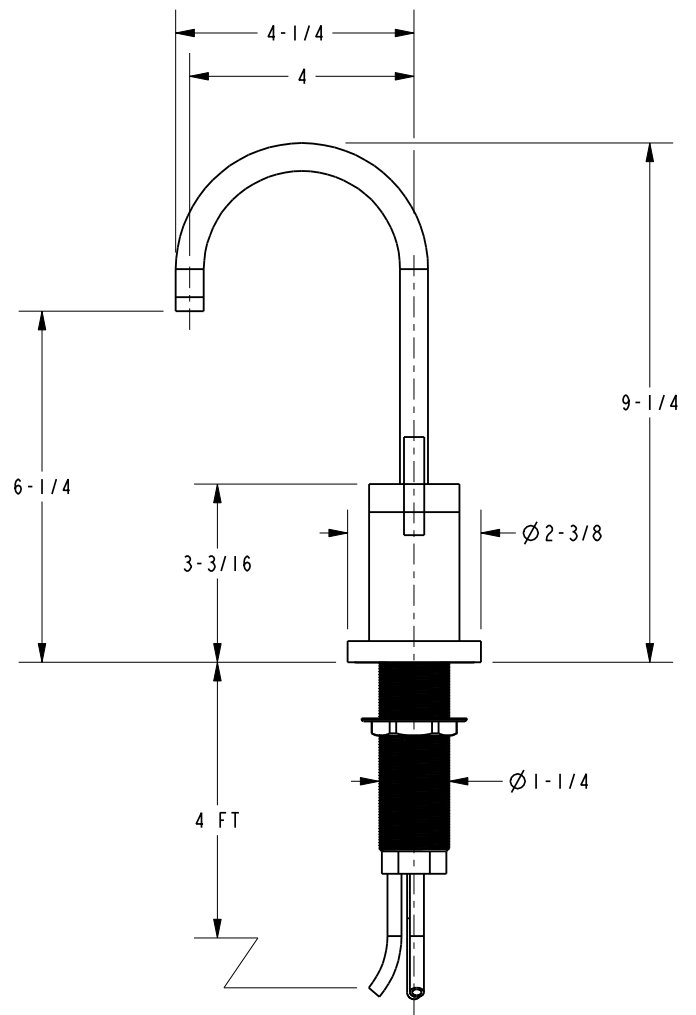
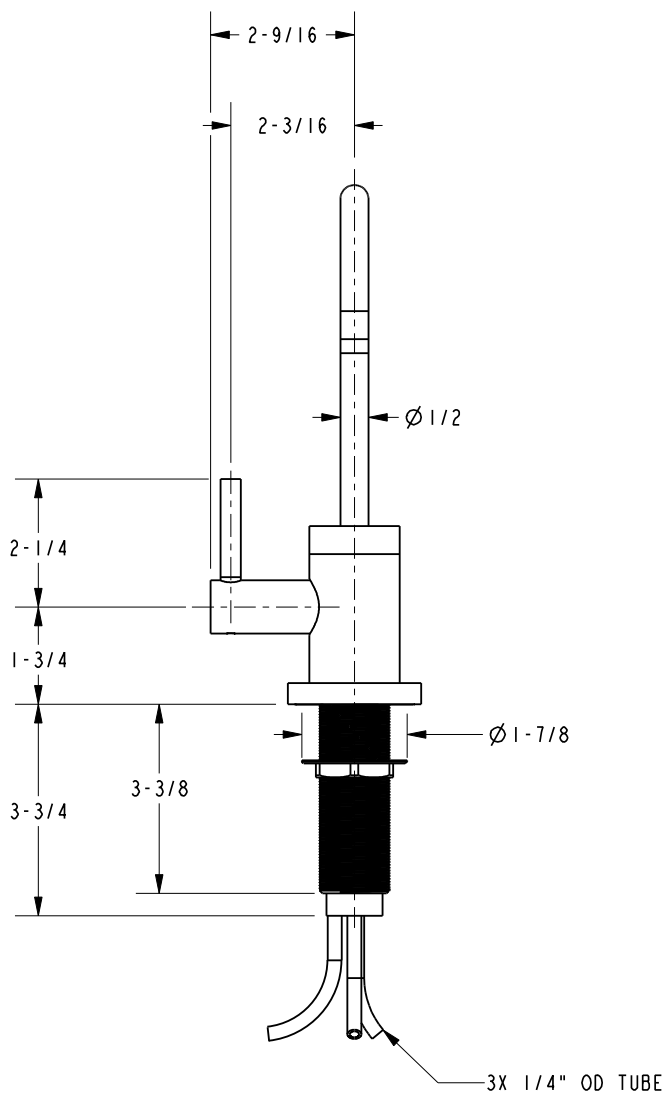
Model	Description	Colors / Finishes				
106H	Hot Water Dispenser Faucet	<input type="checkbox"/> 15	<input type="checkbox"/> 15A	<input type="checkbox"/> 26	<input type="checkbox"/> 10B	<input type="checkbox"/> Other
5-036	Point-of-Use Water Heater (115V, 140iF to 190i range)					

Product Specification:

Add "Color / Finish" suffix to Model number, below.

The Hot Water Dispenser Faucet shall be made of solid brass construction. Faucet shall incorporate a spout assembly with integral supply hoses and feature a quarter-turn washerless ceramic disc valve cartridge. Faucet shall incorporate an ADA compliant contemporary hot lever handle. Hot Water Dispenser Faucet shall have a 1.5 gallons (5.7 liters) per minute maximum flow rate and accommodate single hole configurations. Product shall incorporate a 6-1/4" (15.9 cm) spout height at outlet and a 4" (10.2 cm) spout reach (c-c). Hot Water Dispenser Faucet shall be Newport Brass Model 106H/____. [Point-of-Use Water Heater shall be Newport Brass Model 5-036].

Product Dimensions (units are in inches)



**East Linear Hot Water Dispenser Faucet
106H**