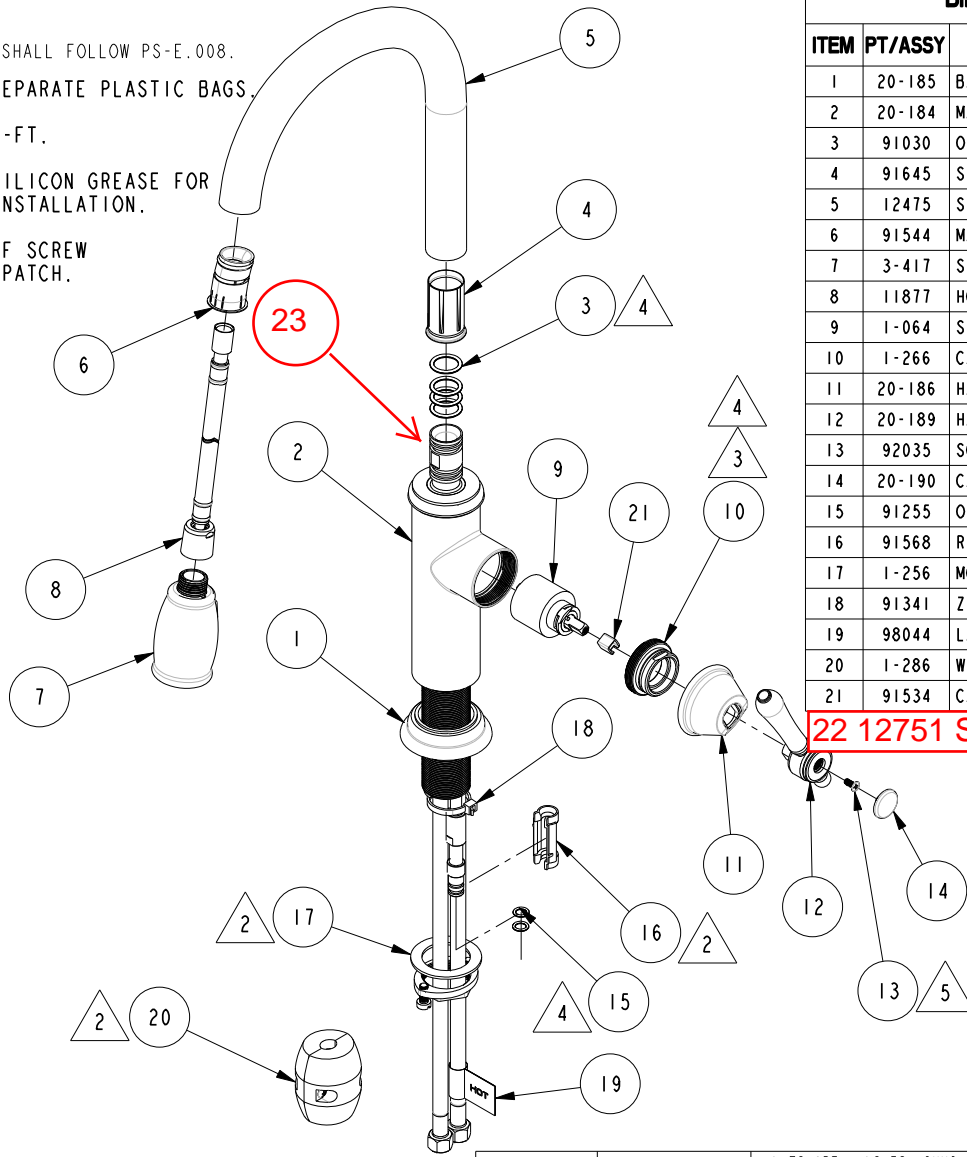


NOTES:

- (N1) 1. FIT / FORM / FUNCTION SHALL FOLLOW PS-E.008.
- 2. PUT THESE ITEMS IN SEPARATE PLASTIC BAGS.
- 3. TORQUE TO 7.5-8.5 LB-FT.
- 4. APPLY THIN COAT OF SILICON GREASE FOR ALL O-RINGS BEFORE INSTALLATION.
- 5. APPLY LOCTITE 242, IF SCREW DOES NOT HAVE NYLON PATCH.

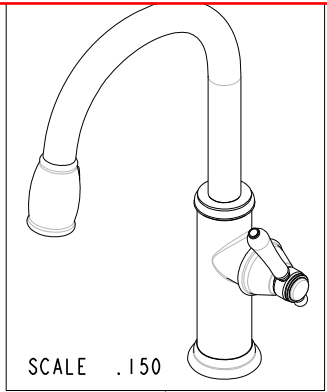
V. VU  
5/11/17  
Temporary Drawing, until  
July 2017



BILL OF MATERIAL (CURRENT LEVEL)

ITEM	PT/ASSY	DESCRIPTION	TYPE	QTY.
1	20-185	BASE RING ASM	ASSEMBLY	1
2	20-184	MAIN BODY ASM, CHESTERFIELD	ASSEMBLY	1
3	91030	O-RING, #2- 115, EPDM, 65-75 DURO, NSF 61	PART	4
4	91645	SLEEVE	PART	1
5	12475	SPOUT, TAFT PULL-DOWN	PART	1
6	91544	MAGNET DOCKING	ASSEMBLY	1
7	3-417	SPRAY HEAD, JACOBAN	ASSEMBLY	1
8	11877	HOSE, PULLDOWN SWIVEL	ASSEMBLY	1
9	1-064	SINGLE LEVER CARTRIDGE	PART	1
10	1-266	CART. RETAINER ASM	ASSEMBLY	1
11	20-186	HANDLE HUB ASM, CHESTERFIELD	ASSEMBLY	1
12	20-189	HANDLE ASM	ASSEMBLY	1
13	92035	SCRW, M4 X .7 X 10 PHL FLT HD SS	PART	1
14	20-190	CAP ASM	ASSEMBLY	1
15	91255	O-RING, #2- 011, EPDM, 65-75 DURO, NSF-61	PART	2
16	91568	RETAINER CLIP	PART	1
17	1-256	MOUNTING KIT	ASSEMBLY	1
18	91341	ZIP TIE	PART	1
19	98044	LABEL - HOT	PART	1
20	1-286	WEIGHT ASM	ASSEMBLY	1
21	91534	CARTRIDGE STEM INSERT	PART	1

22 12751 Spout Adapter 1



TESTING	-	-	-
ASSEMBLY	-	-	-
PLATING	-	-	-
POLISHING	-	NEXT ASSY	USED ON
MACHINING	-	APPLICATION	
TOOLING	FIXTURE #	REMOVE ALL BURRS AND SHARP EDGES	

UNITS ARE: INCHES [MM]  
TOLERANCES ARE:  
FRACTIONS DECIMALS ANGLES  
±1/16" .X ±.1 [2.5] ±1°  
.XX ±.06 [1.5]  
(X.XXX) DENOTES CRITICAL DIMS.  
ALL THREADS ARE CRITICAL  
DRAWN H. LE 09/30/16  
CHECKED V. VU 09/30/16  
APPROVED V. VU 09/30/16

**BRASSTECH** 2001 CARNEGIE AVE.  
INCORPORATED SANTA ANA, CA 92705  
(949) 417-5207

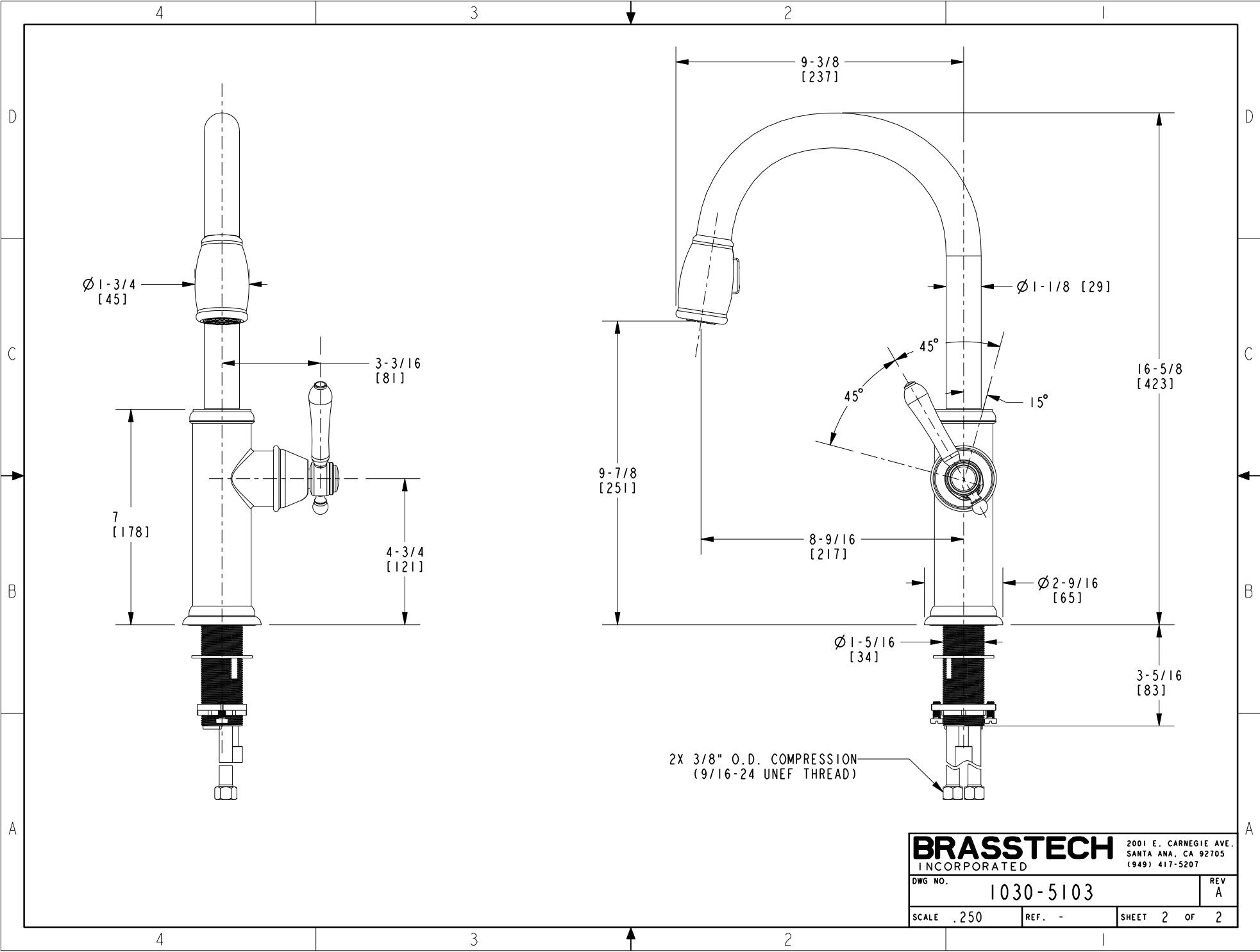
**PULL DOWN KITCHEN FAUCET  
- CHESTERFIELD**

DWG NO. 1030-5103 REV A

SCALE .188 REF. - SHEET 1 OF 2

-	-	-	-	-
-	A	EN-3188	11/07/16	V.V.
-	-	EN-2980	09/30/16	V.V.
ZONE	REV	DESCRIPTION	DATE	APPROVED

COPYRIGHT 2005 BRASSTECH, INC.  
THESE DRAWINGS AND THE DESIGNS  
DEPICTED HEREIN ARE THE PROPRIETARY  
PROPERTY OF BRASSTECH. ANY USE  
OR REPRODUCTION IS SUBJECT TO  
THE EXPRESS APPROVAL OF BRASSTECH.  
UNAUTHORIZED USE IS STRICTLY  
PROHIBITED. ALL RIGHTS RESERVED.



<b>BRASSTECH</b>		2001 E. CARNEGIE AVE.	
INCORPORATED		SANTA ANA, CA 92705	
		(949) 417-5207	
DWG NO.	1030-5103	REV	A
SCALE	.250	REF.	-
		SHEET	2 OF 2