

INSTALLATION INSTRUCTION

1710 - Table Lamp

TL-1710



MODERN FORMS
A WAC LIGHTING COMPANY

WARNING

- Read all instructions before installing.

CAUTION

- All parts must be used as indicated in these instructions. Do not substitute any parts, leave parts out, or use any parts that are worn out or broken. Failure to follow this instruction could invalidate the ETL/CETL listing of this fixture.
CAUTION When handling the fixture, do not apply pressure to the LEDs. Hold the fixture by the base only.

AVERTISSEMENT

- Lisez toutes les instructions avant d'installer.

MISE EN GARDE

- Toutes les pièces doivent être utilisées tel qu'il est indiqué dans ces instructions. Ne remplacez pas les pièces, n'en laissez pas de côté et ne les utilisez pas si elles sont usées ou brisées. Le non-respect de ces instructions peut annuler l'homologation ETL/CETL du luminaire. MISE EN GARDE Ors de la manipulation de l'appareil, ne pas appliquer de pression à la LED, tenir l'appareil par la seule base.

ADVERTENCIA

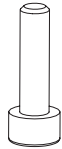
- Lea y comprenda todas las instrucciones e ilustraciones por completo antes de proceder con el ensamblaje e instalación de esta lámpara.

PRECAUCIÓN

- Todas las piezas deben usarse como lo indican estas instrucciones. No reemplace las piezas, no omita piezas durante la instalación ni utilice piezas gastadas o rotas. El incumplimiento de esta indicación podría invalidar la calificación ETL/CETL esta lámpara. PRECAUCIÓN Al manipular el aparato, no aplique presión a los LED, mantenga el aparato en la base sólo.

HARDWARE

A1



Mounting Screw
Qty: 4 pcs + 1 Extra

modernforms.com
Phone (800) 526.2588
Fax (800) 526.2585

Headquarters/Eastern Distribution Center
44 Harbor Park Drive
Port Washington, NY 11050

Central Distribution Center
1600 Distribution Ct
Lithia Springs, GA 30122

Western Distribution Center
1750 Archibald Avenue
Ontario, CA 91760



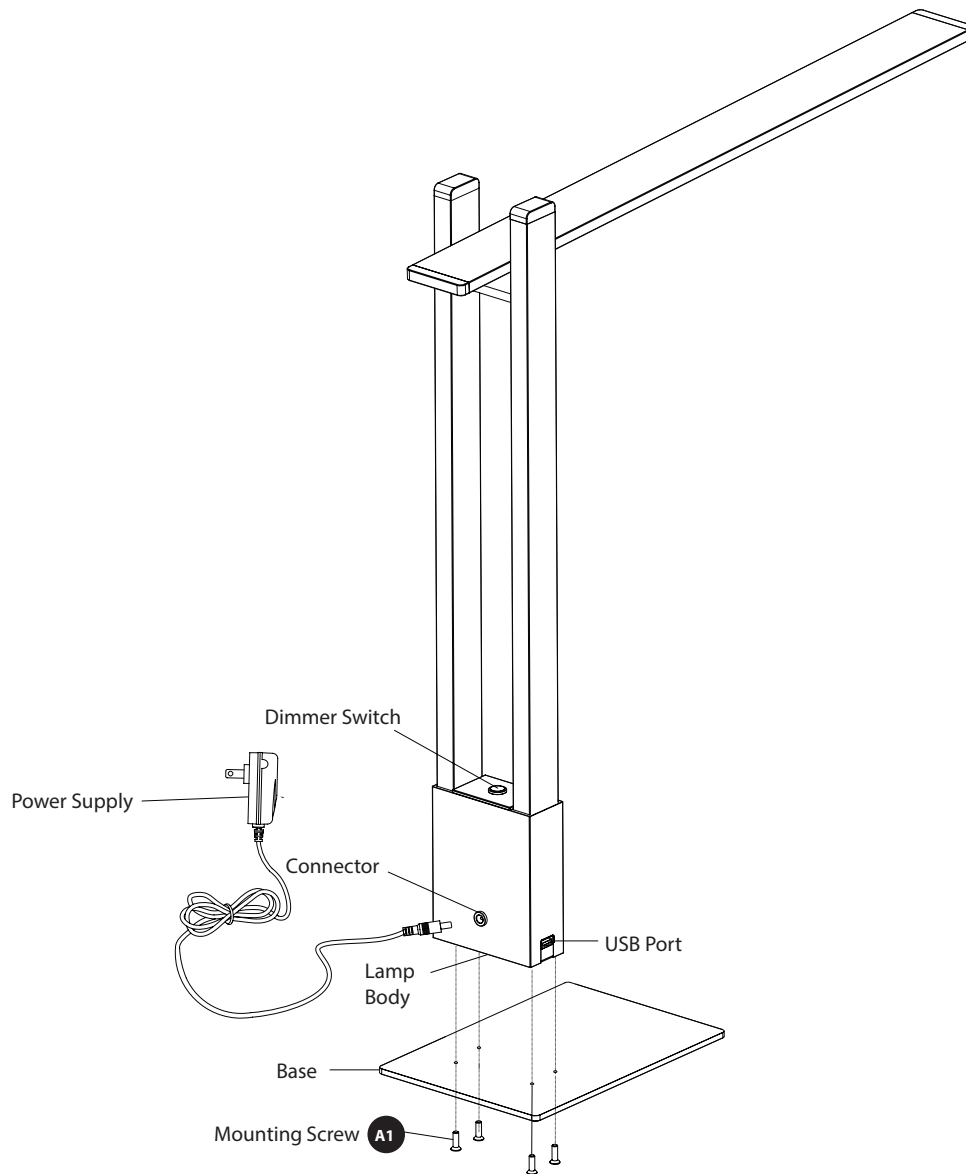
INSTALLATION INSTRUCTION

1710 - Table Lamp

TL-1710



MODERN FORMS
A WAC LIGHTING COMPANY



PREPARATION & INSTALLATION

1. Carefully unpack your new lamp, lay out all the parts on a clear area. Be careful not to lose any small parts.
2. Put the lamp body on the base, secure it with mounting screw (A1).
3. Make sure the base direction is aligned with lamp body.
4. Connect the power supply with connector.
5. Plug into outlet

This lamp features a 1000MA 5V USB charging port.

This lamp features a touch dimmer.

To choose desired brightness by tapping the dimmer switch:

- 1st tap – Turn on
- 2nd tap – Brighter
- 3rd tap – Max. Brightness

modernforms.com
Phone (800) 526.2588
Fax (800) 526.2585

Headquarters/Eastern Distribution Center
44 Harbor Park Drive
Port Washington, NY 11050

Central Distribution Center
1600 Distribution Ct
Lithia Springs, GA 30122

Western Distribution Center
1750 Archibald Avenue
Ontario, CA 91760

