



SITKA COLLECTION

6036 SKIRTED AIR BATH, SOAKER AND WHIRLPOOL TUBS

Dimensions: 60"L x 36"W x 20-1/2"H

Product Codes:

MIRSKA6036LWH* (LH white air massage), MIRSKA6036LBS* (LH biscuit air massage)
MIRSKA6036RWH* (RH white air massage), MIRSKA6036RBS* (RH biscuit air massage)
MIRSKS6036LWH (LH white soaker tub), MIRSKS6036LBS* (LH biscuit soaker tub)
MIRSKS6036RWH (RH white soaker tub), MIRSKS6036RBS* (RH biscuit soaker tub)
MIRSKW6036LWH (LH white whirlpool), MIRSKW6036LBS* (LH biscuit whirlpool)
MIRSKW6036RWH (RH white whirlpool), MIRSKW6036RBS* (RH biscuit whirlpool)

- Intuitive electronic controls
- 8 high-flow directional and volume-adjustable whirlpool jets
- 56 Channel fed air jets (air bath)
- Powerful 1.75 hp, 9 amp whirlpool pump with variable flow device
- 9.25 amp, 600 watt heated blower for air bath system
- 42-gallon operating capacity
- 47-gallon capacity to overflow
- Integral tile flange and skirt (no access panel on skirt – must be installed so that access can be obtained through cabinet or wall)
- Available in left and right configuration
- Safety suction
- Pre-leveled base
- Constructed of highest grade acrylic
- 100% factory performance tested with water
- Textured slip-resistant bottom
- Pre-wired for simple plug-in installation
- Requires a single 20-amp GFCI circuit
- End drain position
- 5-year limited warranty
- Meets or exceeds ANSI Z124.1-95 ASME A112, 19.7-M-1995, UL 1795
- UPC/IAPMO listed
- Optional in-line heater available – MIRPRESSHTR (for use with whirlpool) – Requires a separate 20-amp GFCI circuit
- Tile flange kit available – PFTLK



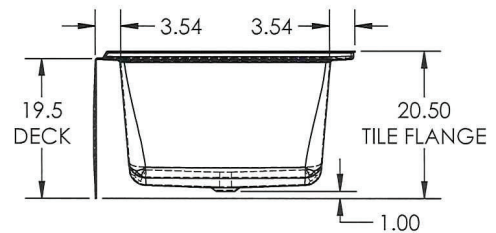
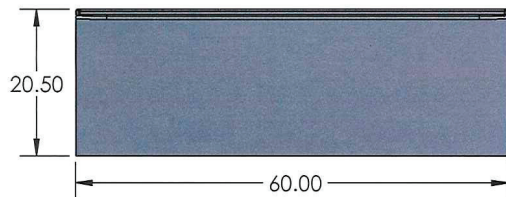
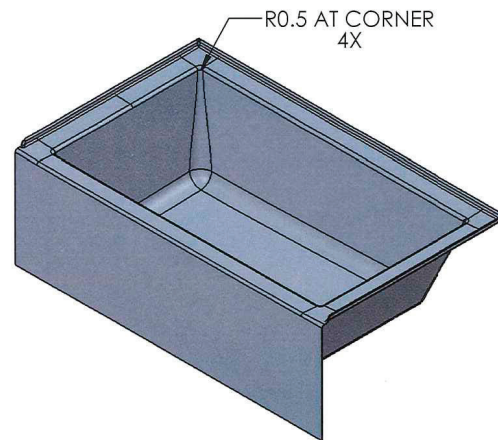
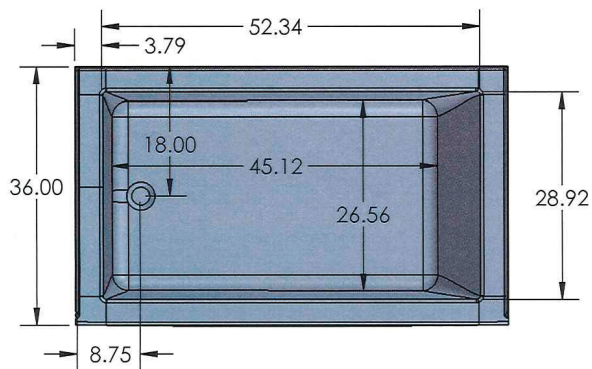


SITKA COLLECTION

6036 SKIRTED AIR BATH, SOAKER AND WHIRLPOOL TUBS

Product Codes:

MIRSKA6036LWH* (LH white air massage), MIRSKA6036LBS* (LH biscuit air massage)
MIRSKA6036RWH* (RH white air massage), MIRSKA6036RBS* (RH biscuit air massage)
MIRSKS6036LWH (LH white soaker tub), MIRSKS6036LBS* (LH biscuit soaker tub)
MIRSKS6036RWH (RH white soaker tub), MIRSKS6036RBS* (RH biscuit soaker tub)
MIRSKW6036LWH (LH white whirlpool), MIRSKW6036LBS* (LH biscuit whirlpool)
MIRSKW6036RWH (RH white whirlpool), MIRSKW6036RBS* (RH biscuit whirlpool)



*Right hand model shown. Left hand model is exact opposite.

Note: All dimensions and specifications are nominal and may vary +/- 1/4. Use actual products for accuracy in critical situations.

CALIFORNIA PROP 65 WARNING: This product may contain chemicals known to the State of California to cause cancer, birth defects or other reproductive harm. Wash Hands After Handling."