

# Mirabelle®

## CARRAWAY COLLECTION

### TWO-PIECE HIGH EFFICIENCY TOILET WITH SKIRTED BOWL

#### Product Codes:

MIRCR240SWH - elongated bowl (white)

MIRCR200WH - tank (white)

- Vitreous china construction
- 1.28 gpf HET, high efficiency toilet
- EPA WaterSense certified
- Uses 20% less water than standard low-consumption toilets
- ADA-compliant 16-1/2" high bowl with slow close seat and cover
- 12" rough-in
- 2-1/4" fully glazed trapway with high performance 3" flush valve
- Includes polished chrome trip lever
- Supply not included
- 100% factory flush tested
- Installation, operating, care and maintenance instructions included
- Limited lifetime warranty on porcelain and 5-year limited warranty on tank fittings
- Meets ASME Standard: A112.19.2/CSA B45.1-2013
- Meets ANSI A117.1/ADA Guidelines
- cUPC/IAPMO listed
- Recommended accessories  
MB428BN - Flush lever, BN  
MB428PN - Flush lever, PN  
MB428ORB - Flush lever, ORB



See dimensional drawing on next page

© 2019 Ferguson Enterprises, LLC 0619 1328479



# Mirabelle®

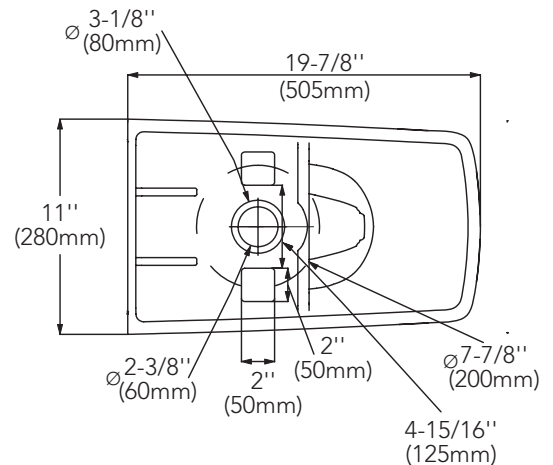
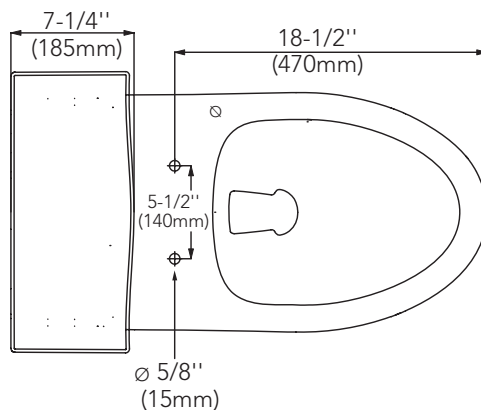
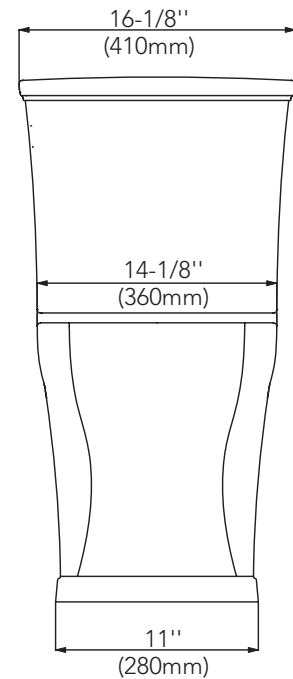
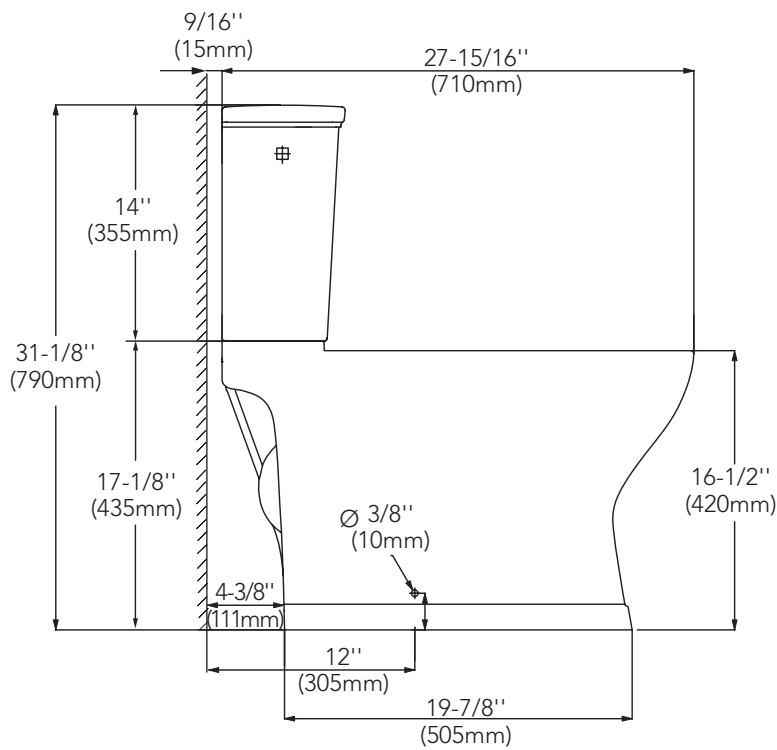
## CARRAWAY COLLECTION

### TWO-PIECE HIGH EFFICIENCY TOILET WITH SKIRTED BOWL

Product Codes:

MIRCR240SWH - elongated bowl (white)

MIRCR200WH - tank (white)



Note: All dimensions and specifications are nominal and may vary +/- 1/4". Use actual products for accuracy in critical situations.