

INSTALLATION INSTRUCTIONS

Model # 72176/72177-189

READ AND SAVE THESE INSTRUCTIONS

WARNING! SHUT POWER OFF AT FUSE OR CIRCUIT BREAKER.

AVERTISSEMENT! COUPER LE COURANT AU NIVEAU DES FUSIBLES OU DU DISJONCTEUR.

PREPARING FOR INSTALLATION (Fig. 1)

1. Shut off power at the circuit breaker and remove the old fixture including the mounting hardware.
2. Carefully unpack your new fixture and lay out all the parts in a clear area. Take care not to misplace any small parts necessary for installation.

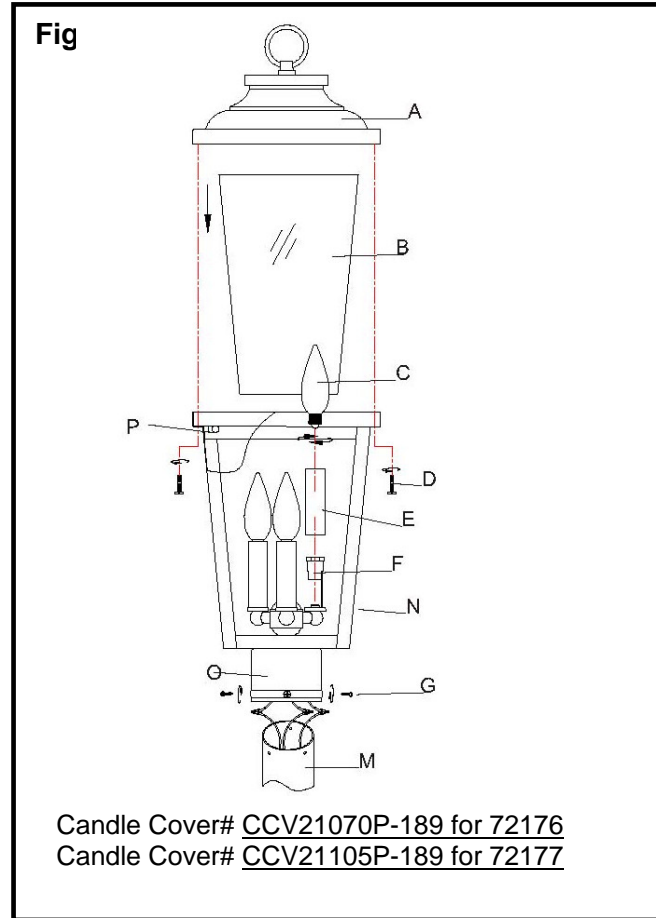
CONNECTING THE WIRES (Fig. 2)

3. Connect electrical wires while supporting the lantern. If your post has a ground wire (green or bare copper), connect the fixture ground wire to it. If not, consult your electrician for proper grounding. After wires are connected, tuck them carefully inside the cup (O).
4. Align the lantern with post (M) and secure with screws (G) (Size:M4*12) . (Fig.1&2)

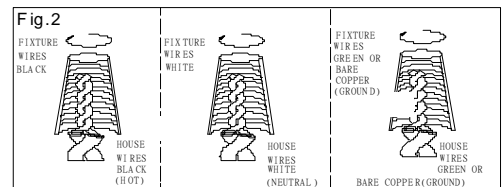
COMPLETING THE INSTALLATION (Fig. 1)

5. Place candle sleeves (E) over the sockets (F).
6. Install 60W /type B bulbs (C) (not included) in accordance with the fixture specification. **(DO NOT EXCEED THE MAXIMUM WATTAGE RATING!)(NE PAS DEPASSER LA PUISSANCE NOMINALE MAXIMALE!).**
7. Separate lamp body (N) from top cover (A) by unscrewing the mounting screws (D) (Size: M4*16). Align the glass (B) into body (N) and secure with glass clips (P).
8. Re-attach body (N) to the top cover (A) with mounting screws (D). (Size: M4*16)

Your installation is now complete. Return power to and test the fixture.



Candle Cover# CCV21070P-189 for 72176
Candle Cover# CCV21105P-189 for 72177



IMPORTANT: FIXTURE SHOULD BE INSTALLED BY A QUALIFIED ELECTRICIAN TO ENSURE PROPER WIRING AND INSTALLATION.

ATTENTION – RISQUE D'INCENDIE, CONSULTER UN ÉLECTRICIEN QUALIFIÉ POUR VOUS ASSURER QUE LES CONDUCTEURS DE LA DÉRIVATION SONT ADÉQUATS.

