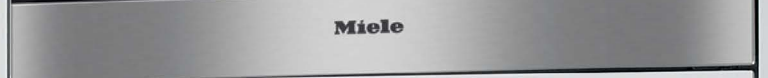


PureLine
24" Steam Oven

DG 6600



PureLine 60cm Steam Oven DG 6600



DG 6600

Features:

- SensorTronic controls: 5-line TFT display with laterally positioned sensor controls that clearly present menu content
- MultiSteam technology delivers powerful external steam generation and optimum steam distribution via 8 inlet ports
- MultiSteam logo illuminates on the back cavity for a “wow” effect
- 1.34 cu.ft. (38L) cavity — 26% more capacity on 4 shelf levels
- Steam reduction creates a safe environment when opening the door and removing your food
- Easy clean-up through stainless steel cavity
- MasterChef menu offers over 150 food types to cook to perfection
- 1/2 gallon dishwasher-safe water container
- A ClearView door and interior lighting allow you to see into the steam oven as it's cooking
- The simple yet sleek Silhouette handle seems to float enhancing its modern design lines

SPECIFICATIONS

DG 6600 — Item 23660050USA

Overall Unit Width - Excluding Fascia Dimension	21 ³ / ₄ " (553 mm)
Overall Height - Excluding Fascia Dimension	17 ⁹ / ₁₆ " (446 mm)
Overall Unit Depth - Excluding Fascia Dimension	21 ⁵ / ₈ " (549 mm)
Oven Door Clearance	12 ⁷ / ₈ " (326 mm)
Overall Fascia Dimensions	23 ⁷ / ₁₆ " (595 mm) W x 18" (455.5 mm) H x 7 ⁷ / ₈ " (23 mm) D

Built-In

Minimum Cabinet Width	22 ¹ / ₁₆ " (560 mm)
Minimum Cabinet Depth	21 ⁵ / ₈ " (550 mm)
Minimum Cabinet Opening Height	17 ¹¹ / ₁₆ " (450 mm)
Minimum Base Support	60 lbs (27 kg)

Additional Cut-outs Required	Power cord cut-out
------------------------------	--------------------

Electrical

Electrical Requirements	208/240V, 60Hz, 20A
Power Cord	Molded - NEMA 6-20 plug, 5 ft (1.5 m)
Cut out for power cord	Minimum 3" square

Shipping

Shipping Weight	65 lbs (29.5 kg)
Shipping Dimensions	26 ⁷ / ₃₂ " W x 21 ⁵ / ₈ " H x 23 ¹ / ₁₆ " L

Support

Call Miele	800.843.7231
Miele Website	www.mieleusa.com
20/20 Link	2020technologies.com

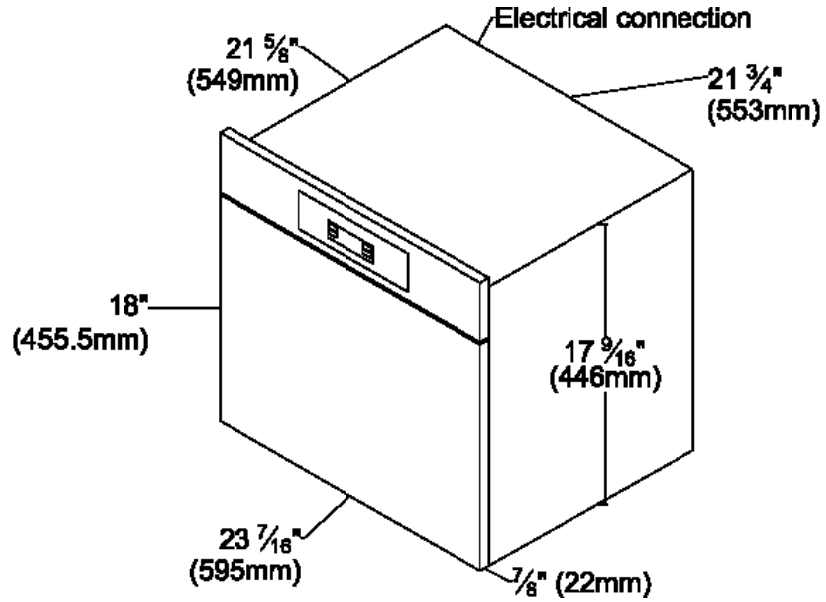
<p>Comfort Handle: Optional with ContourLine (DS 6708 Item #09828380)</p>	<p>ComfortSwivel Handle: Standard with ContourLine Optional for PureLine (DS 6718 Item # 09828390)</p>
--	---

<p>Silhouette Handle: Standard with Pureline Optional for Contourline (DS 6808 Item # 09828400)</p>	
--	--

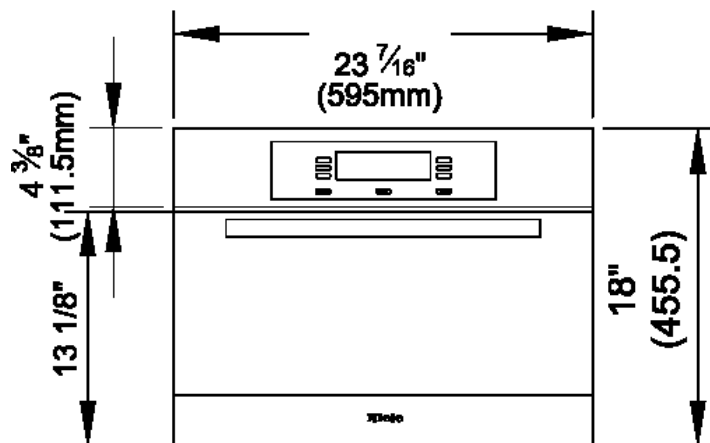
<p>Silhouette Handle (Chrome): Standard with BrilliantWhite (DS 6808 Item # 09828410)</p>	<p>Silhouette Handle: Standard with Truffle Brown (DS 6808 Item # 09870690)</p>
--	--

PRODUCT VIEWS

Isometric View

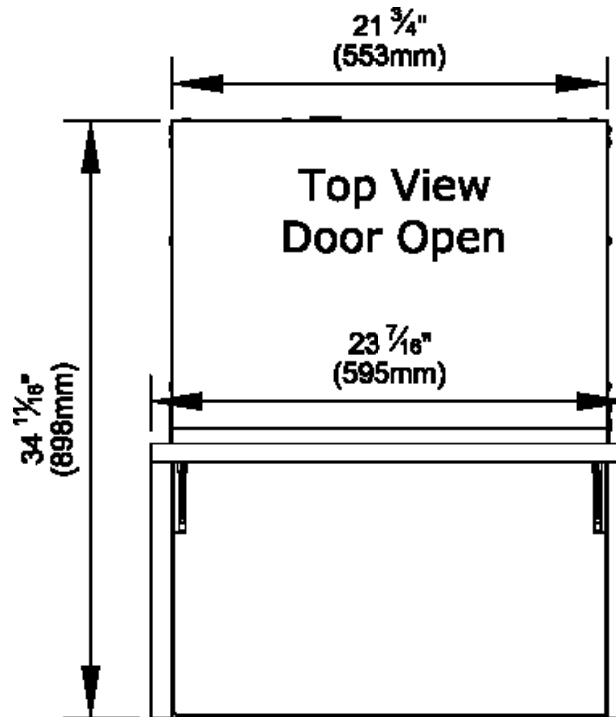


Front View

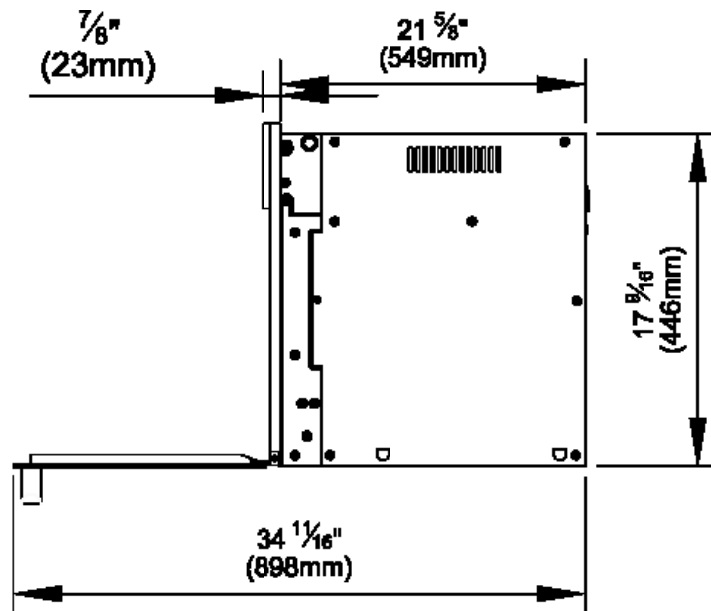


PRODUCT VIEWS

Top View

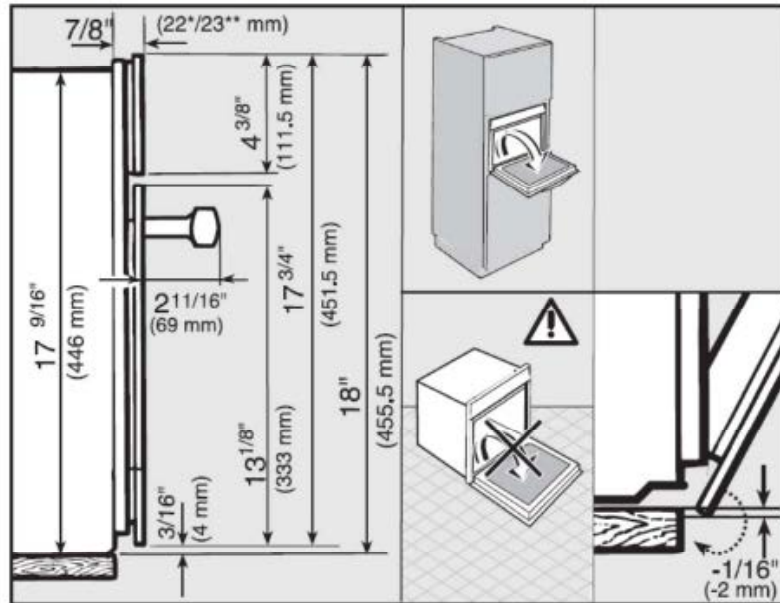


Side View

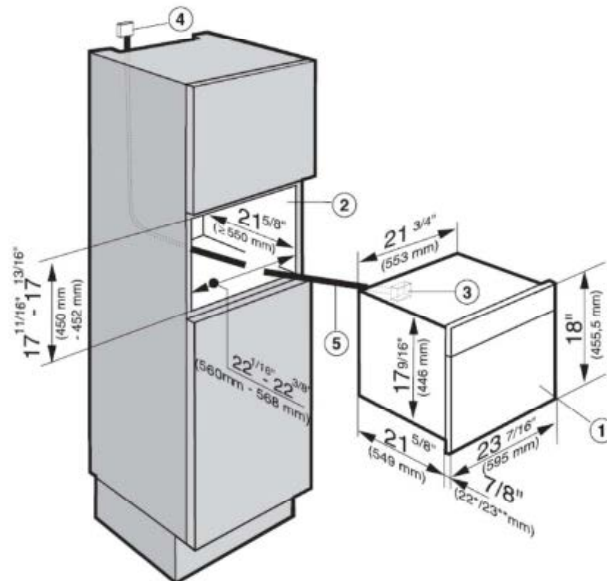


INSTALLATION SPECIFICATIONS

Door Swing and Face Detail



Installation in Tall Cabinet



* Appliances with glass front

** Appliances with metal front

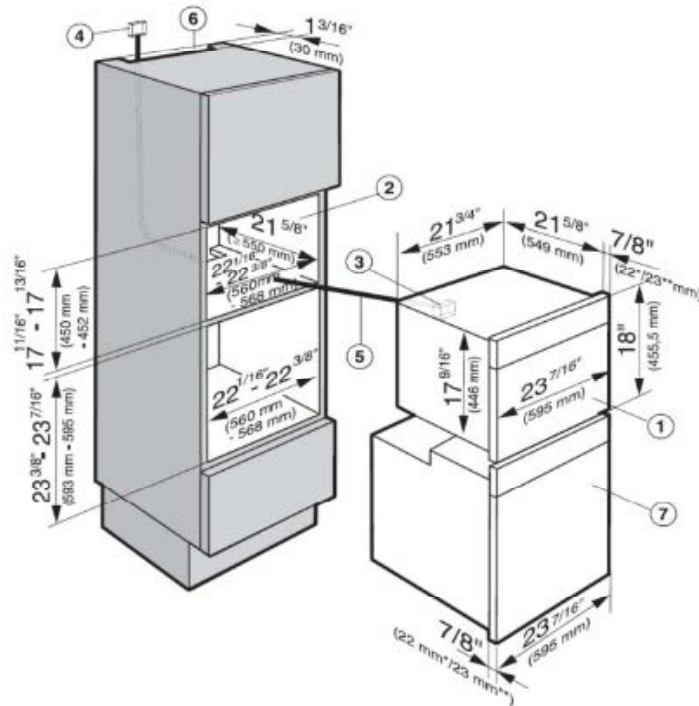
- ① Built-in steam oven
- ② Installation niche
- ③ Power cord - Connection on the appliance
- ④ Recommended location of the electrical outlet
- ⑤ Power cord

PureLine 60cm Steam Oven DG 6600



INSTALLATION SPECIFICATIONS

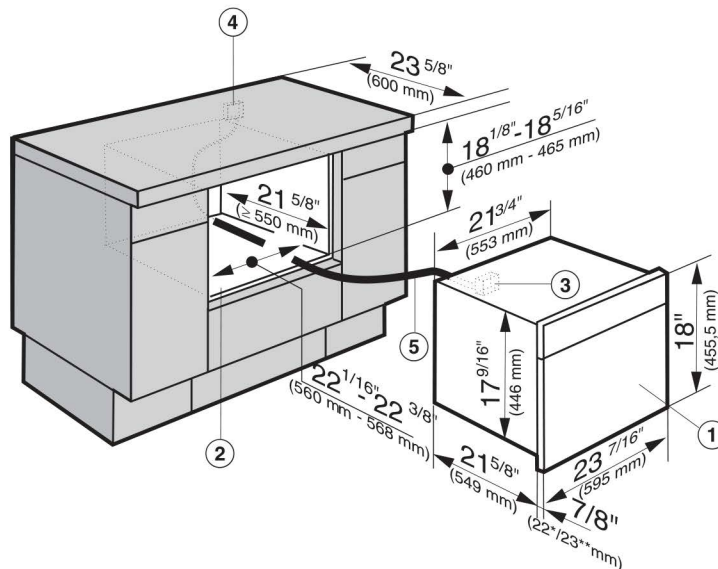
Installation above 60cm Oven



* Appliances with glass front
** Appliances with metal front

- ① Built-in steam oven
- ② Installation niche
- ③ Power cord - Connection on the appliance
- ④ Recommended location of the electrical outlet
- ⑤ Power cord
- ⑥ Cut-out for ventilation when combined with a self-cleaning oven
- ⑦ Oven

Installation Under Counter



- ① Steam oven
- ② Niche
- ③ Pass-through for the power cord
- ④ Recommended position for electrical outlet
- ⑤ Power cord

* Glass front / ** Metal front