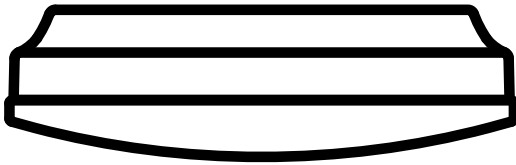




PRODUCT NAME:Profile
ITEM NUMBER:87580 87582 87584

Please consult your electrician for hanging fixture and wiring.



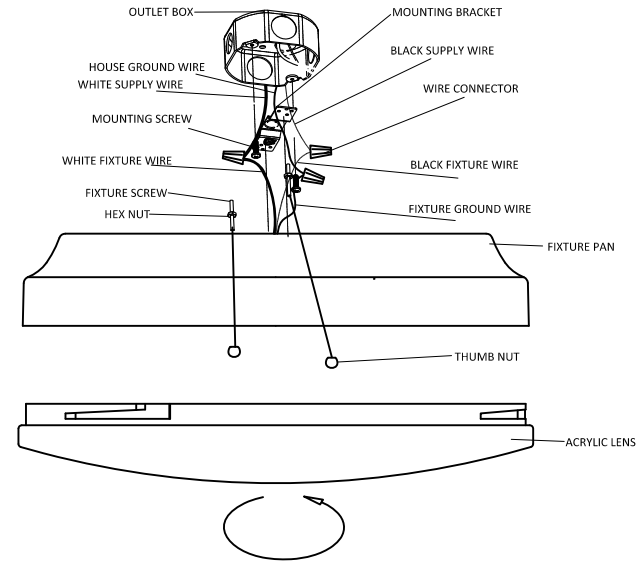
87580:8W LED 3000K NOT DIMMABLE
87582:12W LED 3000K NOT DIMMABLE
87584:15W LED 3000K NOT DIMMABLE

Locate all hardware & components before discarding packaging
Cleaning & Care:
Clean with soft cloth and a mild detergent.
DO not use abrasive cleaner.



PRODUCT NAME:Profile
ITEM NUMBER:87580 87582 87584

CAUTION:Turn off the main power at the circuit breaker before installing and servicing the fixture to prevent possible injury from electric shock.
All electrical connections must be in accordance with local and National Electrical Code (N.E.C.) standards.
If you are unfamiliar with proper electrical wiring connections, obtain the services of a qualified electrician.



1. Remove MOUNTING BRACKET from fixture and install to OUTLET BOX.
2. Wires must be connected to driver found inside canopy. Wire driver input wires to supply wires in outlet box. Green wire is for Ground.
3. Install fixture to BRACKET and using DECORATIVE NUTS provided.
4. Line the acrylic shade up with the bumps on the inner part of the fixture pan, Twist the acrylic shade until it is secure.