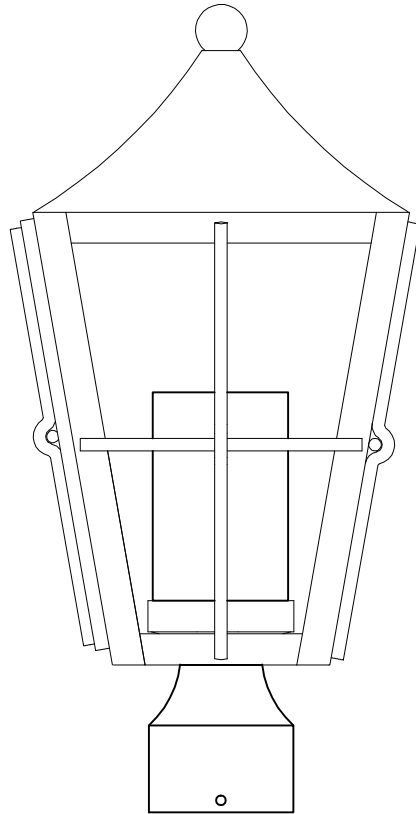




PRODUCT NAME:CELLING MOUNTS
ITEM NUMBER:85330CDFTBK

Please consult your electrician for hanging fixture and wiring.



Bulb(not included): 1 x 18W GU24

PRODUCT ARE NOT INENDED
FOR COMMERCIAL USE.

MADE IN CHINA
Page 1 of (2)

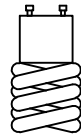
IMPORTANT: Turn off the power at the main fuse or circuit breaker box before starting installation.



Glasses (A)
GLS85330CD 4PCS



Body (B)

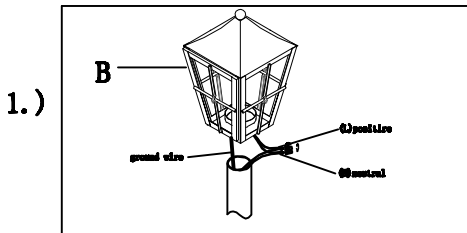


**GU24
Bulb (C)**

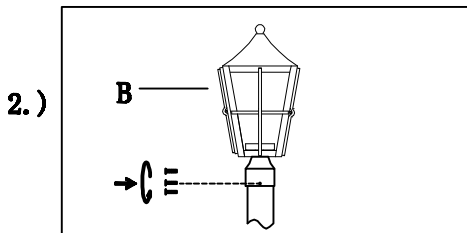


**Candle
Cover (D)**

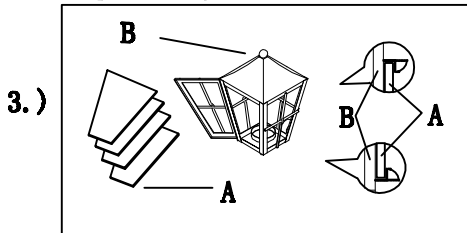
Locate all hardware & components before discarding packaging



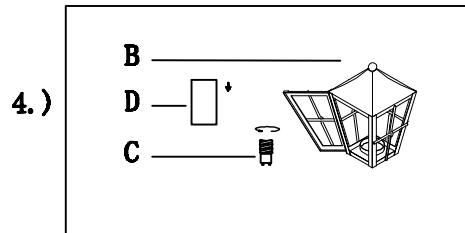
Step.1: Wire fixture to wires in outlet box. Copper wire is for Ground.



Step.2: Install body (B) to post top. Secure at base using screws provided.



Step.3: Insert glass(A) and secure using glass clips



Step.4: Install GU24 bulb(C) and cover with Candle Cover(D)

Cleaning & Care:
Clean with soft cloth and a mild detergent.
Do not use abrasive cleaner.