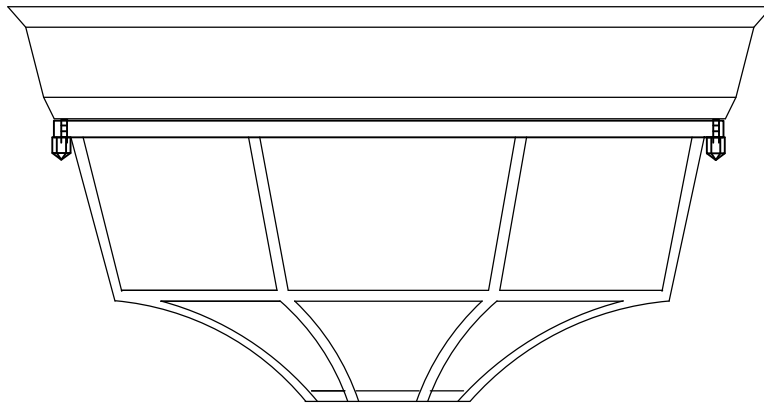




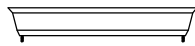
PRODUCT NAME: Flush Mount LED 1-LIGHTING OUTDOOR CEILING MOUNT  
ITEM NUMBER: 57920

Please consult your electrician for hanging fixture and wiring.

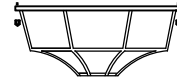


Bulb (included) 1X9W LED

**IMPORTANT:** Turn off the power at the main fuse or circuit breaker box before starting installation

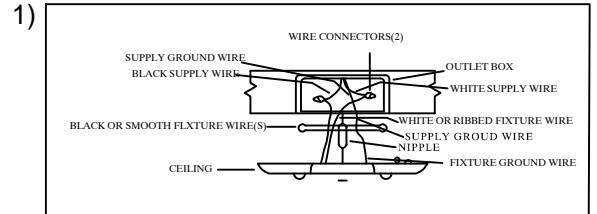
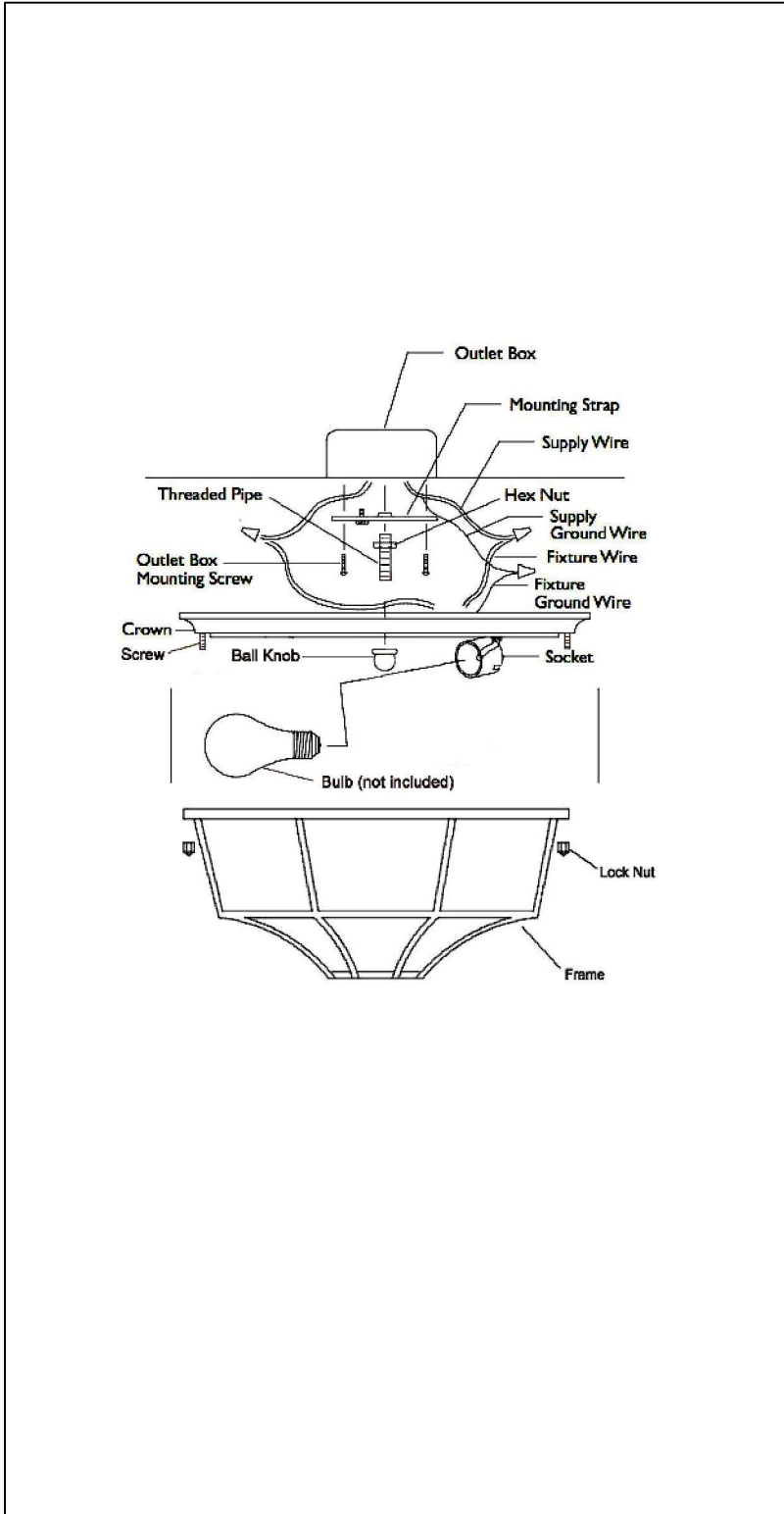


(A) Canopy

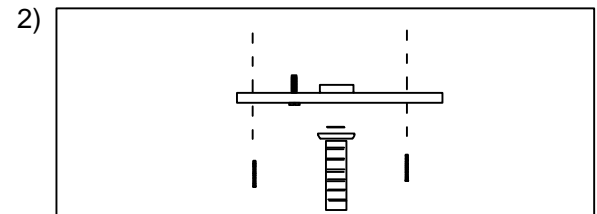


(B) Fram & Glass shade

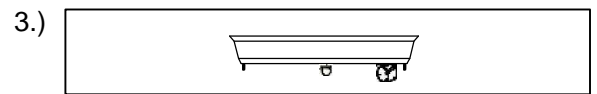
Locate all hardware & components before discarding packing



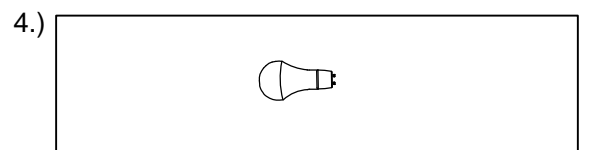
Step.1: Wire fixture to wires in outlet box. Black wire is positive, white is neutral, bare wire is ground



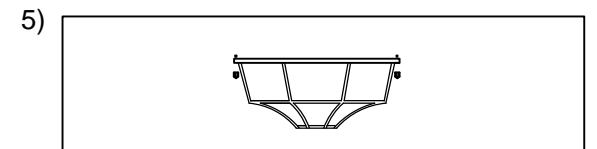
Step.2: Remove mounting bracket from fixture and install to electrical box



Step3: Place crown screw threaded the(A)canopy so that it sits flush against ceiling. Be sure all wires are inside crown. Secure crown to ceiling by fastening ball knob onto threaded pipe.



Step.4: Install bulb. See relamping label located at socket area for type and maximum allowed wattage.



Step.5: Place (B) Glass shade carefully inside of frame. Then grabbing firmly onto the frame, install onto crown by fastening with lock nuts.

**Cleaning & Care:**

Clean with soft cloth and a mild detergent. Do not use abrasive cleaner.