

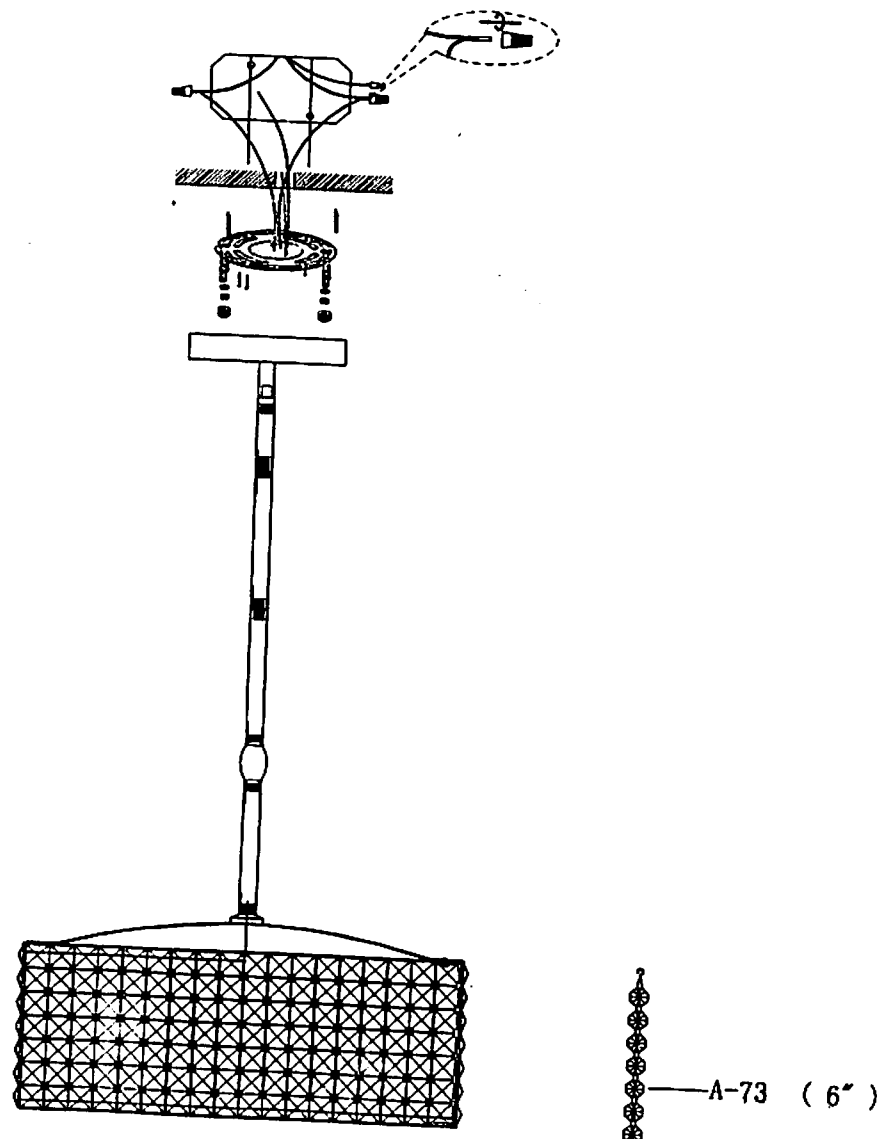


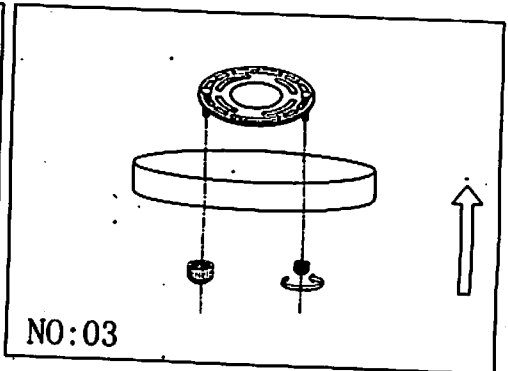
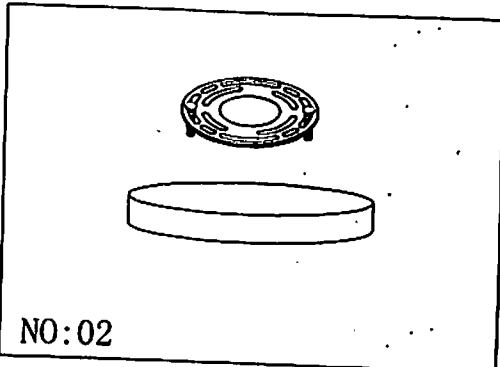
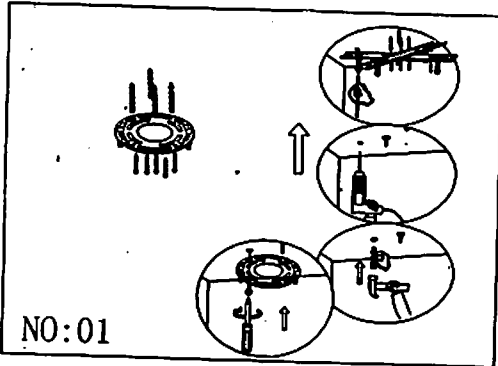
Installation Instructions Model 39934BCPC

1. Turn breaker off for circuit on outlet where fixture is to be installed.
2. Remove mounting bracket from fixture and install to electrical box
3. Install combination of stems to achieve desired mounting height.
4. Wire fixture using green wire as ground
5. Install fixture to mounting bracket and secure by tightening ball nuts.
6. Install crystal strands A to top pan on inside of fixture.
7. Install maximum 40 watt Xenon lamps included.

WARNING!

Xenon lamps burn hot. Allow 15 minutes after turning off before touching!





Model 39934BCPC

