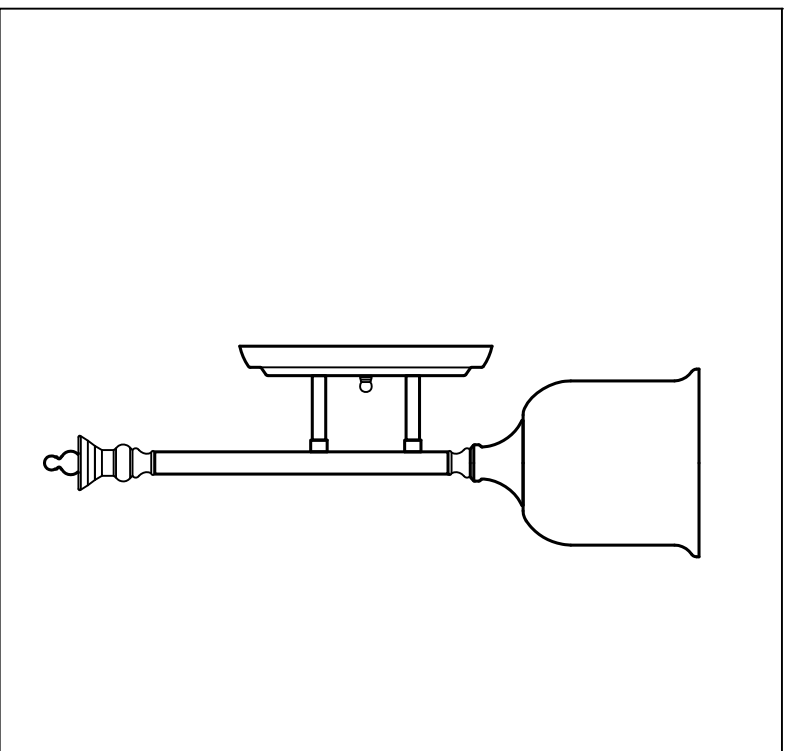




PRODUCT NAME: Centennial 1-Light Bath Vanity  
ITEM NUMBER: 20479CLPN

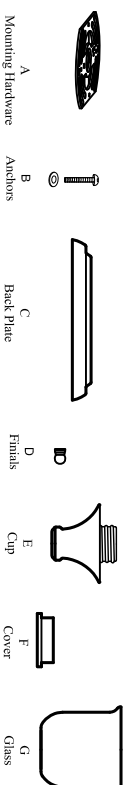
Please consult your electrician for hanging fixture and wiring.



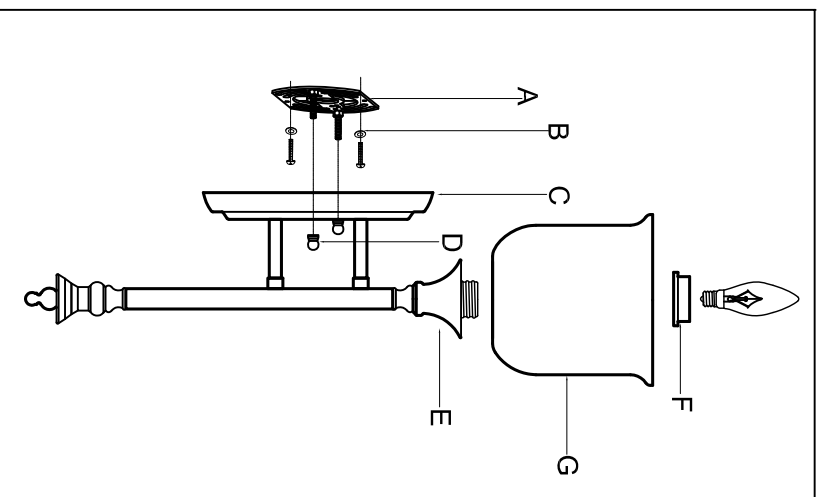
Bulb(Not included): 1 x 60W E26 medium base

MADE IN CHINA  
Page 1 of (2)

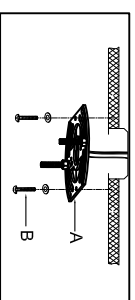
**IMPORTANT:** Turn OFF the power at the main fuse or circuit breaker box before starting installation



Locate all hardware & components before discarding packaging

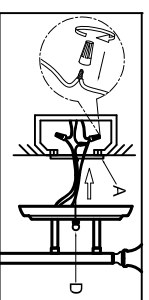


1.)



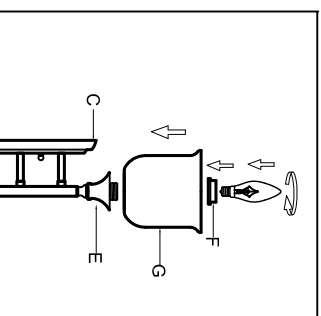
Step 1: Remove mounting bracket (A) from back plate (C) and install to electrical box.

2.)



Step 2: Wire fixture to wires in outlet box. Black wire is positive, white is neutral, bare wire is ground. Install fixture to mounting bracket (A) using back plate finials (D).

3.)



Step 3: Put the glass (G) with the covers (F) into the cup (E). Use Max 60W bulb.

Cleaning & Care:

Clean with soft cloth and a mild detergent.  
Do not use abrasive cleaner.

Page 2 of (2)