

Features

- Single handle controls both on/off activation and temperature settings.
- Supplied with ADA compliant metal lever handle.
- Trim includes push button diverter.
- Includes single function 2.5 gpm (9.5 l/min) showerhead with Catalyst Air Induction Technology.

Material

- Premium construction ensures durability and reliability.

Required Accessories

K-11748 Series Rite-Temp® Valves

Optional Accessories

1016154 Right-Temp Deep Rough-In
88526 Thin Wall Trim Kit



Codes/Standards



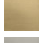
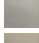

ASME A112.18.1/CSA B125.1
ASSE 1016
DOE - Energy Policy Act 1992
California Energy Commission (CEC)

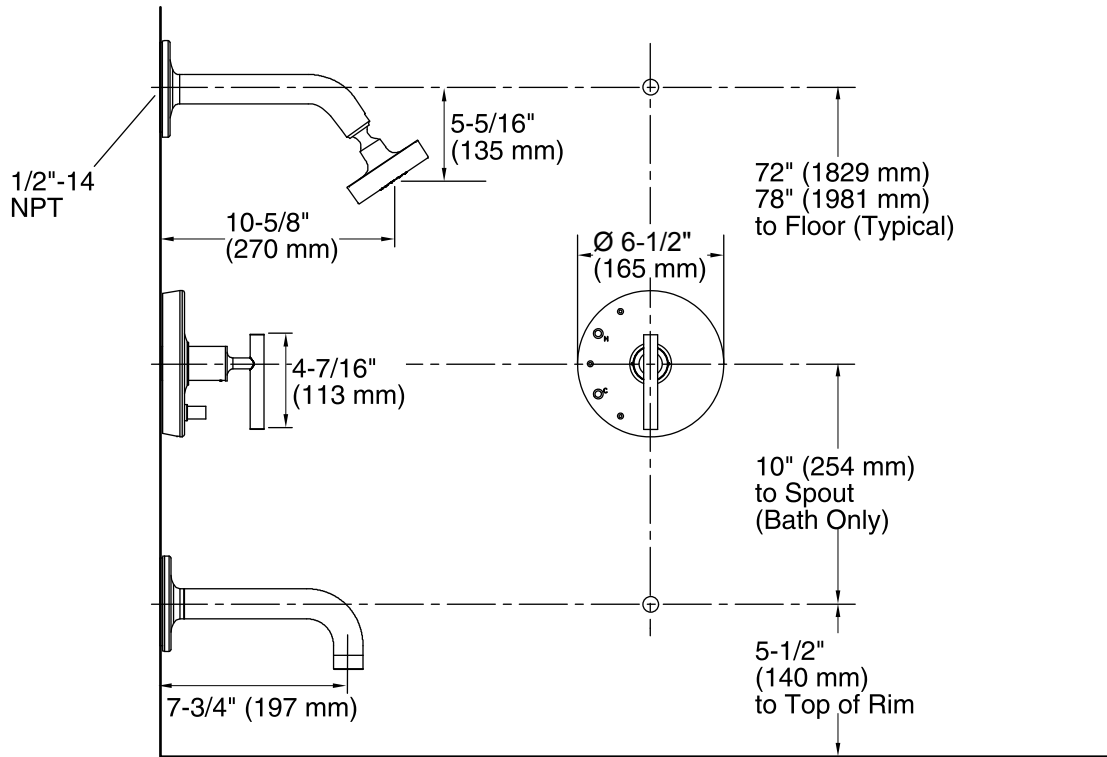
KOHLER® Faucet Lifetime Limited Warranty

See website for detailed warranty information.

Available Color/Finishes

Color tiles intended for reference only.

Color	Code	Description
	CP	Polished Chrome
	SN	Vibrant® Polished Nickel
	BGD	Vibrant® Moderne Brushed Gold
	BN	Vibrant® Brushed Nickel
	BV	Vibrant® Brushed Bronze



Technical Information

All product dimensions are nominal.

Showerhead:

Rated maximum flow: 2.5 gal/min (9.5 l/min)

Pressure: 80 psi (5.5 bar)

Notes

Install this product according to the installation guide.

Avoid cross-flow conditions. Do not install shut-off device on either valve outlet.

Cap the shower outlet if deck-mount spout, diverter, or handshower is connected to the spout outlet.