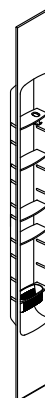


### Features

- Shelves movable to customize storage.
- Integral foot ledge.
- Design ensures no water can collect on shelves.

### Components

Additional included component/s: Shelves (3), Integral hook, and Rubber basket.



### Codes/Standards

None Applicable

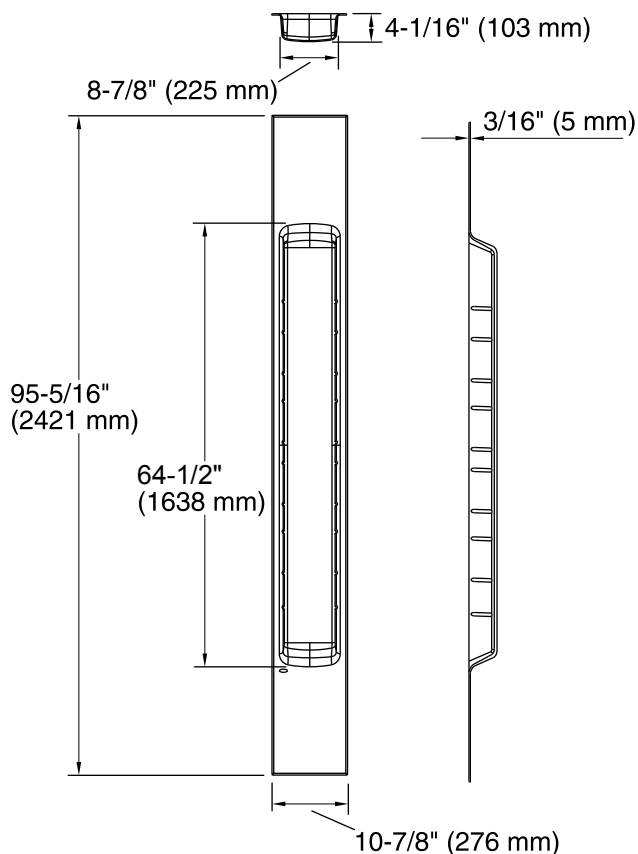
### KOHLER® Limited Warranty – Choreograph™ Walls and Accessories

See website for detailed warranty information.

### Available Color/Finishes

*Color tiles intended for reference only.*

| Color | Code | Description |
|-------|------|-------------|
|       | 0    | White       |
|       | 47   | Almond      |
|       | 95   | Ice™ Grey   |
|       | 96   | Biscuit     |
|       | G9   | Sandbar     |
|       | NY   | Dune        |



### Technical Information

All product dimensions are nominal.

Installation: Individual Wall

Weight: 11.5 lbs (5.2 kg)

### Notes

Install this product according to the installation guide.

Locker unit must be braced using 2x4's around the entire unit.

Use non-solvent based construction adhesive.

If installing accessories, install 2x4 backing for handrails, shelves, and shower hooks, and 2x10 backing for the flip-down seat.