

Features

- Vitreous china.
- One-piece
- Comfort Height® compact elongated bowl.
- AquaPiston® flushing system.
- Touchless technology powered by 4 AA batteries (included). Flush is activated by a no-touch sensor mounted inside the tank.
- 1.28 gpf (4.8 lpf)
- 2-1/8" (54 mm) fully glazed concealed trapway.
- 12" (305 mm) rough-in.
- Includes Purefresh™ Quiet-Close™ with Grip Tight seat that combines a carbon deodorizing system that neutralizes odors, a built-in freshener that releases a light scent and a programmable 8-hour dual LED nightlight, powered by 2 D batteries (not included).
- Less supply.
- 10-3/4" (273 mm) x 7-1/2" (191 mm) water area.
- Floor mount/floor outlet.

Recommended Accessories

- K-75796 Cachet® Nightlight Quiet-Close™ Elongated Toilet Seat
- K-4108 C3®-230 Elongated Cleansing Toilet Seat

Components

Product includes:

- K-5588 Purefresh® Elongated Toilet Seat
- Additional included component/s: Tank Cover, Clean Cap Accessory Pack, Tank Accessory Pack, Touchless Flush System, Carbon Filter, and Assortment Scent Pack.



ADA CSA B651 OBC

Codes/Standards

ASME A112.19.2/CSA B45.1
DOE - Energy Policy Act 1992
EPA WaterSense®
ADA
ICC/ANSI A117.1
CSA B651
OBC



KOHLER® One-Year Limited Warranty

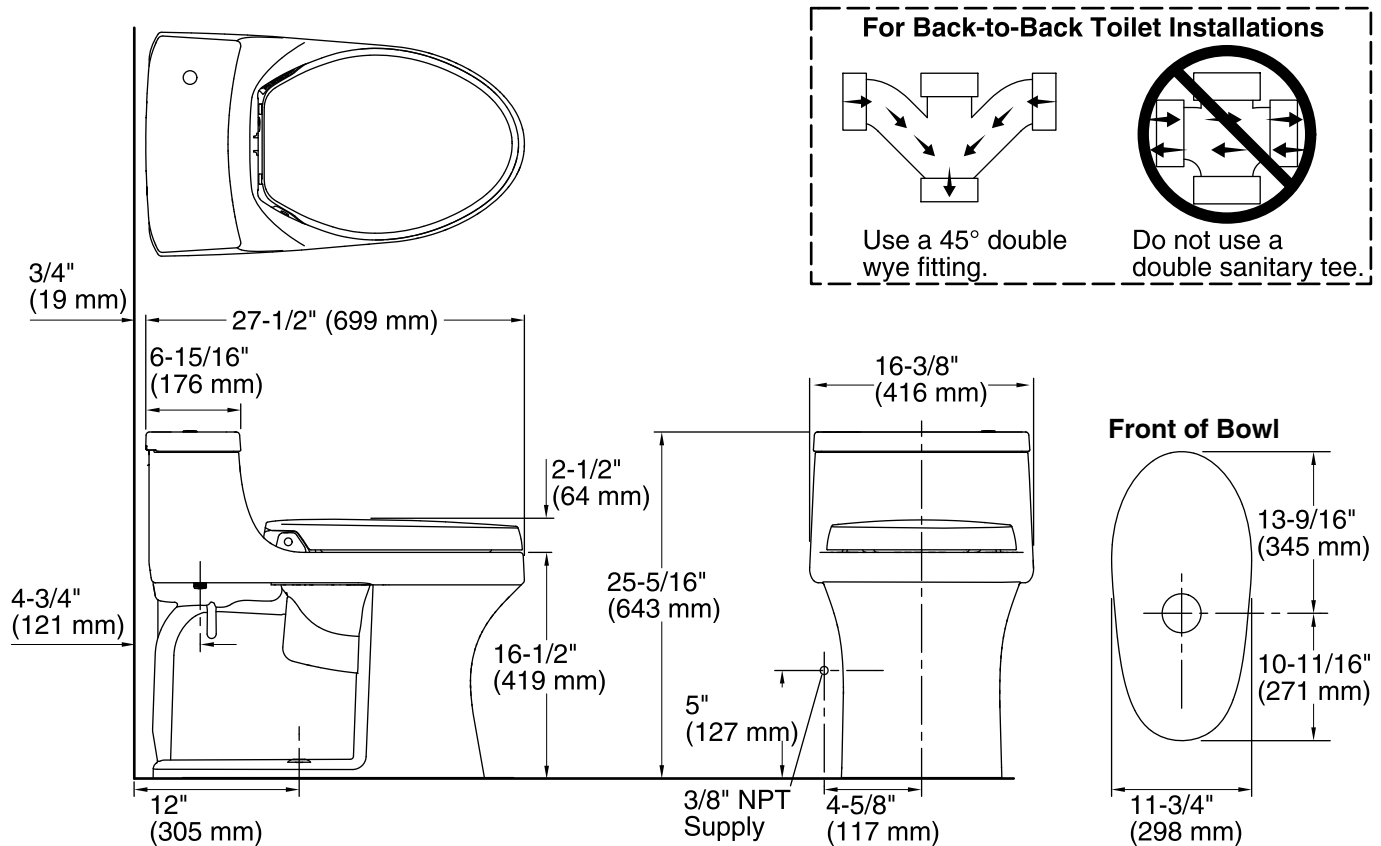
See website for detailed warranty information.

Available Color/Finishes

Color tiles intended for reference only.

Color	Code	Description
-------	------	-------------

- | | | |
|--|----|---------|
|  | 0 | White |
|  | 96 | Biscuit |



Technical Information

All product dimensions are nominal.

Toilet type:	One-piece, Floor-mount
Waste Outlet:	Floor
Bowl shape:	Compact Elongated front
Flush type:	Class Five®
Seat hinge type:	Quick-Attach®, Quiet-Close™
Trap passageway:	2-1/8" (54 mm)
Water Consumption	
Full:	1.28 gpf (4.8 lpf)
Water surface size:	10-3/4" x 7-1/2" (273 mm x 191 mm)
Rim to water surface:	5-3/8" (137 mm)
Rough-in:	12" (305 mm)
Seat-mounting holes:	5-1/2" (140 mm)

Notes

Install this product according to the installation instructions.

For back-to-back toilet installations: Use only a 45° double wye fitting.

ADA, OBC, CSA B651 compliant when installed to the specific requirements of these regulations.

Plumbing codes may require elongated toilets and elongated, open-front seats in public bathrooms.

Accessibility standards may require controls to be located on the open side of the toilet.