

Features

- Metal construction
- One-piece, self-contained ceramic disc valve allows both volume and temperature control
- Temperature memory allows faucet to be turned on and off at any temperature setting
- High-temperature limit setting for added safety
- Flexible connections for easy installation
- Remote valve
- ADA compliant remote lever handle
- Available with or without matching finish sidespray
- 7-3/4" (19.7 cm) swing spout reach
- Lower flow aerator options are available (refer to the Kohler Price Book)
- 2.2 gpm (8.3 lpm) maximum flow rate

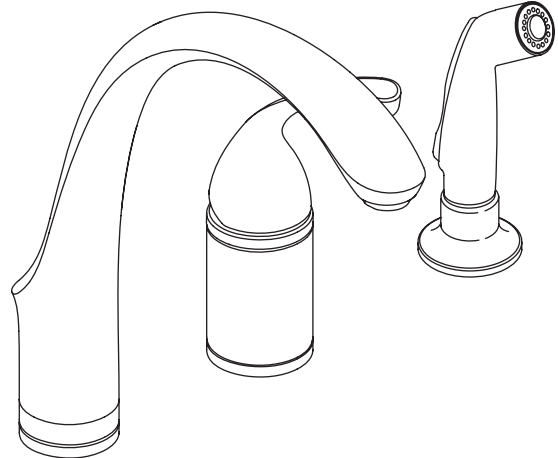
Codes/Standards Applicable

Specified model meets or exceeds the following at date of manufacture:

- ADA
- ASME A112.18.1/CSA B125.1
- ICC/ANSI A117.1
- Energy Policy Act of 1992
- NSF 61
- All applicable US Federal and State material regulations

REMOTE VALVE KITCHEN SINK FAUCET K-10441 ALSO K-10443

ADA



Colors/Finishes

- CP: Polished Chrome
- Other: Refer to Price Book for additional colors/finishes

Specified Model

Model	Description	Colors/Finishes	
K-10441	Remote valve kitchen sink faucet – with sidespray	<input type="checkbox"/> CP	<input type="checkbox"/> Other _____
K-10443	Remote valve kitchen sink faucet – without sidespray	<input type="checkbox"/> CP	<input type="checkbox"/> Other _____

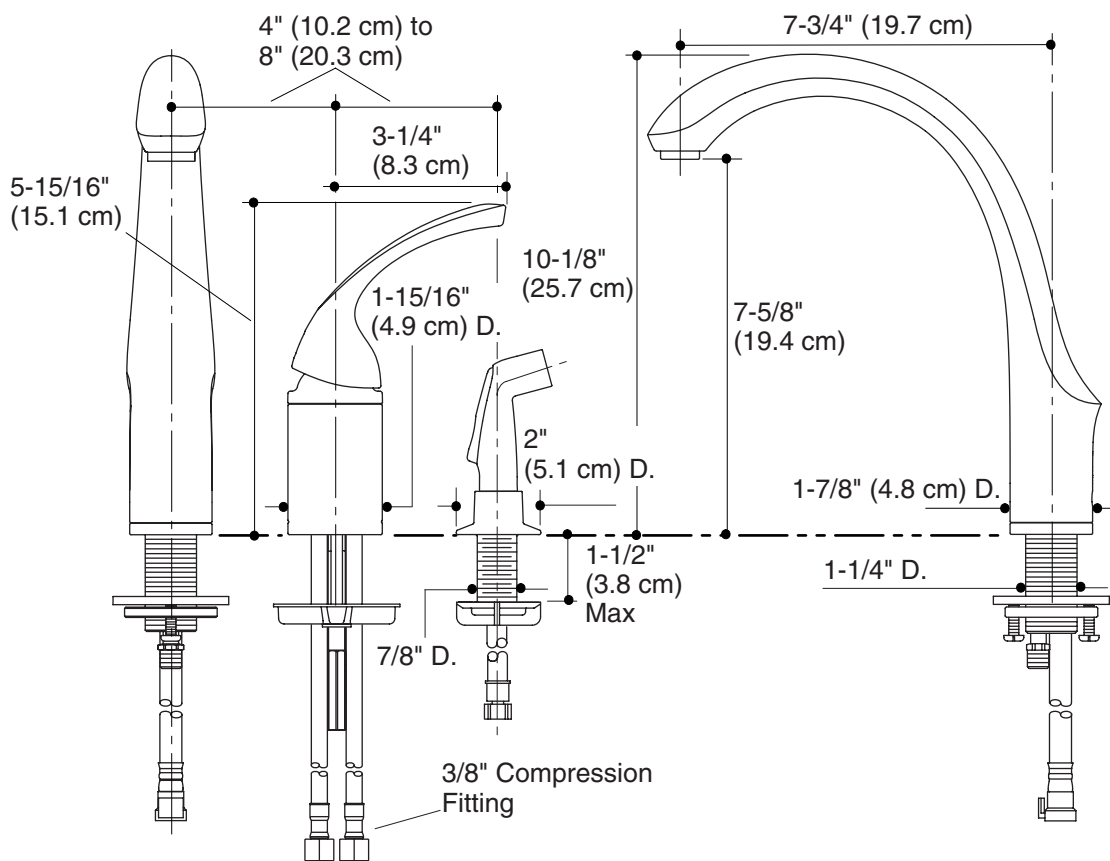
Product Specification

The single-control remote valve kitchen sink faucet shall be of metal construction. Product shall have a maximum flow rate of 2.2 gallons (8.3 L) per minute with lower flow aerator options available (refer to the Kohler Price Book). Product shall feature temperature memory, allowing the faucet to be turned on and off at any temperature setting. Product shall feature a one-piece, self-contained ceramic disc valve, allowing both volume and temperature control. Product shall feature a high-temperature limit setting for added safety, flexible connections for easy installation, 7-3/4" (19.7 cm) swing spout reach, remote valve, and ADA compliant remote lever handle. Product shall be available with or without sidespray. Faucet shall be Kohler Model K-_____ - _____

FORTÉ®

Installation Notes

Install this product according to the installation guide



Product Diagram