

PRESSURE LITE® TOILET K-3505

Features

- Vitreous china
- Elongated bowl
- Equipped with Sloan FLUSHMATE® – Sloan® Valve Company
- Polish chrome trip lever
- Less seat and supply
- 12" (305 mm) rough-in
- 1.6 gpf (6 lpf)
- 12" (305 mm) x 10" (254 mm) water area
- 30-1/4" (768 mm) x 21-1/4" (540 mm) x 29-1/4" (743 mm)



Codes/Standards Applicable

Specified model meets or exceeds the following:

- ASME A112.19.2/CSA B45.1
- Energy Policy Act of 1992

Colors/Finishes

- 0: White
- Other: Refer to Price Book for additional colors/finishes

Accessories

- 0: White
- CP: Polished Chrome
- PB: Vibrant® Polished Brass

Specified Model

| Model | Description | Trip Lever | Colors/Finishes | |
|-----------|--|------------|----------------------------------|-------------------------------------|
| K-3505 | Pressure Lite toilet | left-hand | <input type="checkbox"/> 0 White | <input type="checkbox"/> Other_____ |
| K-3505-RA | Pressure Lite toilet | right-hand | <input type="checkbox"/> 0 White | <input type="checkbox"/> Other_____ |
| K-3505-T | Pressure Lite toilet with tank cover locks | left-hand | <input type="checkbox"/> 0 White | <input type="checkbox"/> Other_____ |
| K-3505-TR | Pressure Lite toilet with tank cover locks | right-hand | <input type="checkbox"/> 0 White | <input type="checkbox"/> Other_____ |

| Recommended Accessories | | | | |
|-------------------------|-------------------------------|--|----------------------------------|---|
| K-4650 | French Curve® seat with cover | | <input type="checkbox"/> 0 White | <input type="checkbox"/> Other_____ |
| K-4664 | Brevia™ seat with cover | | <input type="checkbox"/> 0 White | <input type="checkbox"/> Other_____ |
| K-7637 | Angle supply with stop | | <input type="checkbox"/> CP | <input type="checkbox"/> PB <input type="checkbox"/> Other_____ |

Product Specification

The elongated bowl toilet shall be made of vitreous china. Toilet shall be 30-1/4" (768 mm) in length, 21-1/4" (540 mm) in width, and 29-1/4" (743 mm) in height. Toilet shall be 12" (305 mm) rough-in equipped with Sloan Flushmate® – Sloan Valve Company. Toilet shall have 12" (305 mm) x 10" (254 mm) water area. Toilet shall be 1.6 gpf (6 lpf). Toilet shall include polished chrome trip lever. Toilet shall be less seat and supply. Toilet shall be Kohler Model K-3505-_____-_____.

Optional Accessories

| | | | |
|----------|---------------------------------|-----------------------------|-------------------------------------|
| K-9481-L | Trip lever, left-hand (non-CP) | <input type="checkbox"/> PB | <input type="checkbox"/> Other_____ |
| K-9481-R | Trip lever, right-hand (non-CP) | <input type="checkbox"/> PB | |

Technical Information

| | |
|----------------------------------|-----------------------------|
| Fixture: | |
| Configuration | two-piece, elongated |
| Water per flush | 1.6 gallons (6 L) |
| Passageway | 2-1/4" (57 mm) |
| Water area | 12" (305 mm) x 10" (254 mm) |
| Water depth from rim | 5-5/8" (143 mm) |
| Seat post hole centers | 5-1/2" (140 mm) |
| Minimum static pressure required | 20 psi (137.9 kPa) |
| Maximum static pressure | 80 psi (551.6 kPa) |

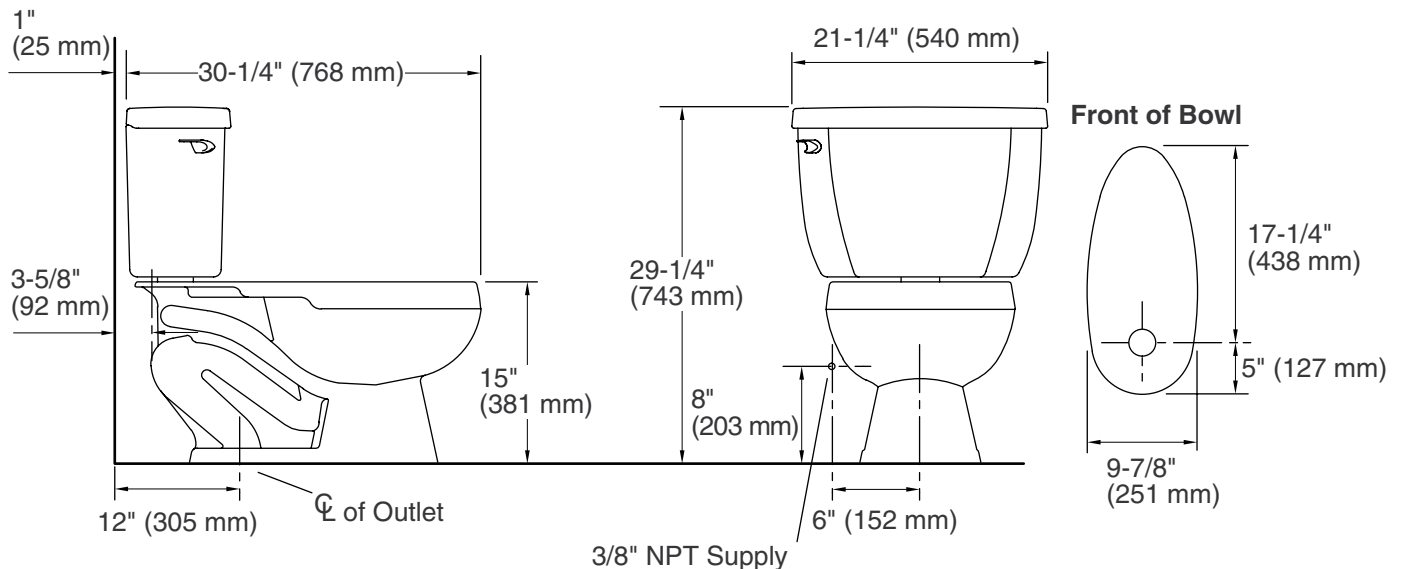
Included Components*:

| | |
|---|---------|
| Bowl | K-4304 |
| Tank | K-4645 |
| Tank cover | 1036375 |
| Trip lever | K-9481 |
| Tank accessory pack | 73062 |
| Bolt cap accessory pack | 52048 |
| *Equipped with Sloan Flushmate™ – Sloan Valve Company | |

Installation Notes

Install this product according to the installation guide.

For back-to-back installations, the toilet shall be connected to the vertical stack using one of the three following fittings: double fixture fitting, double combination wye and 1/8 bends, or double wye and 1/8 bends.



Product Diagram