

60" S

Item Number:

JAMES MARTIN

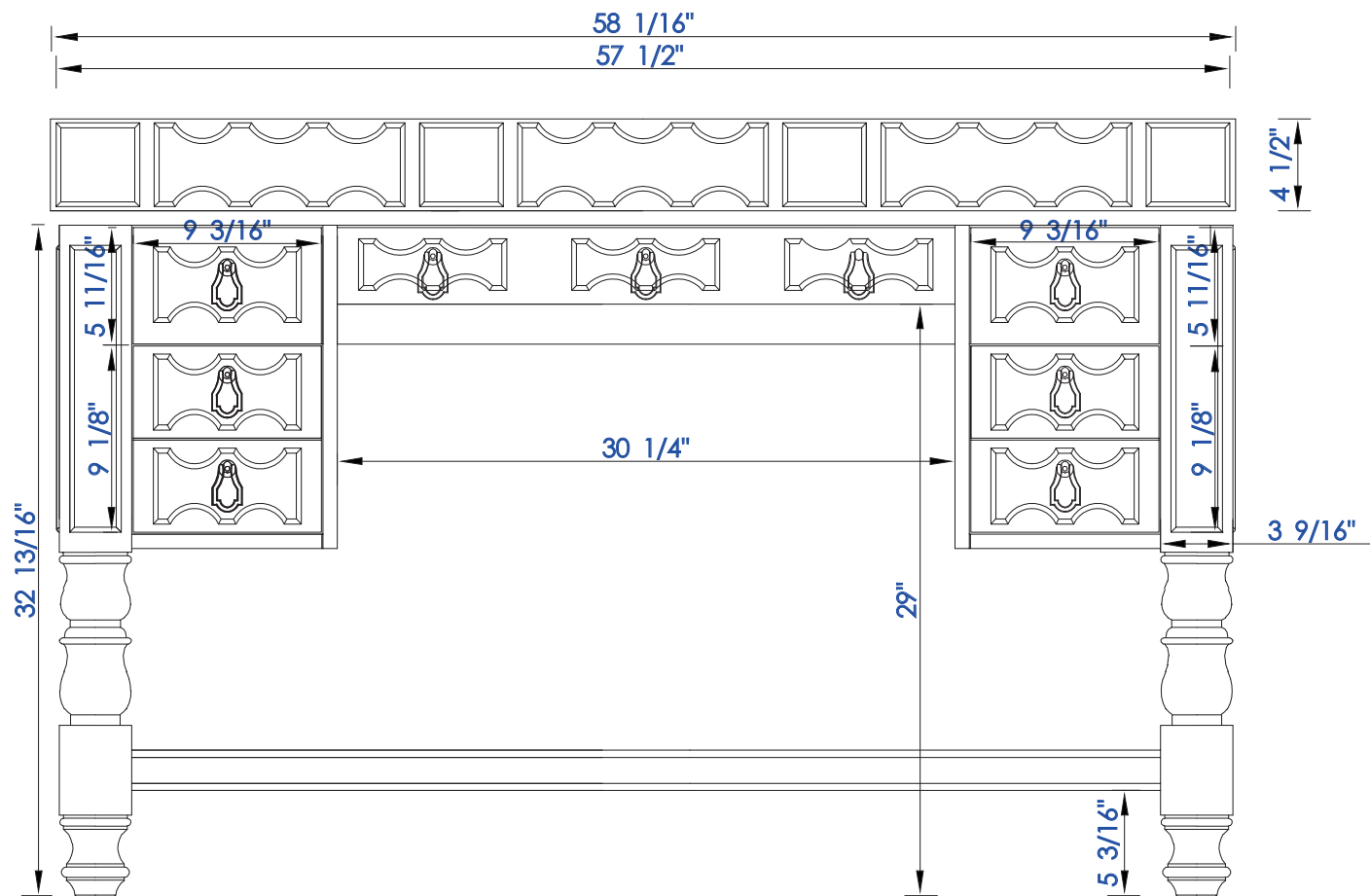
Castilian 60" Single Vanity

161-V60S-ACG
161-V60S-EG
161-V60S-VV



Diagrams with Dimensions
page 01 of 03

VANITIES



NOTE ONE: Countertops are not shown in these diagrams. (Cabinet Only)

NOTE TWO: Wood Backsplash (Shown) is designed for the molding detail to align with sinks in James Martin's Optional Countertops.

Customer's own countertops and sinks may align differently.

Please consult our website for Countertop Diagrams: www.jamesmartinvanities.com

60" S

Item Number:

JAMES MARTIN

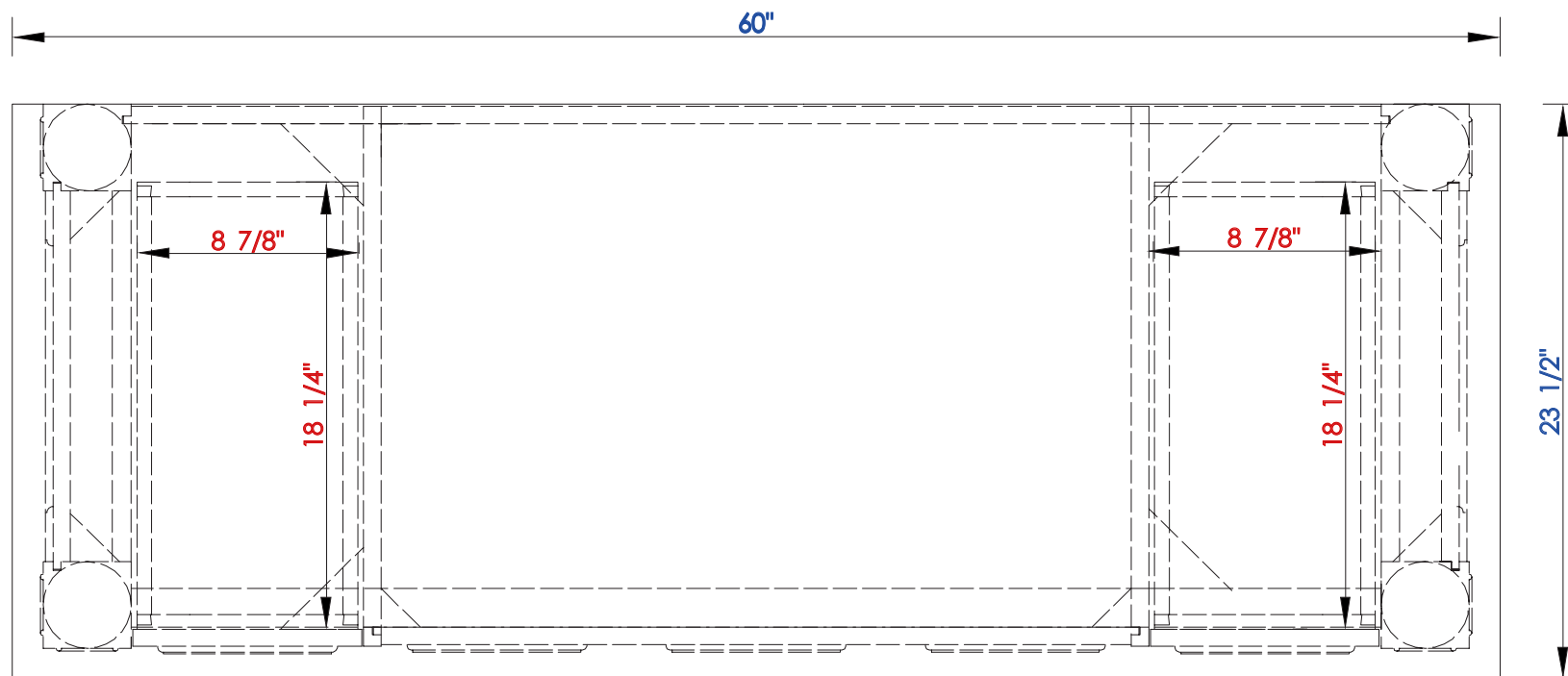
Castilian 60" Single Vanity

161-V60S-ACG
161-V60S-EG
161-V60S-VV



VANITIES

Diagrams with Dimensions
page 02 of 03



NOTE ONE: Countertops are not shown in these diagrams. (Cabinet Only)
Please consult our website for Countertop Diagrams: www.jamesmartinvanities.com

60" S

Item Number:

161-V60S-ACG
161-V60S-EG
161-V60S-VV

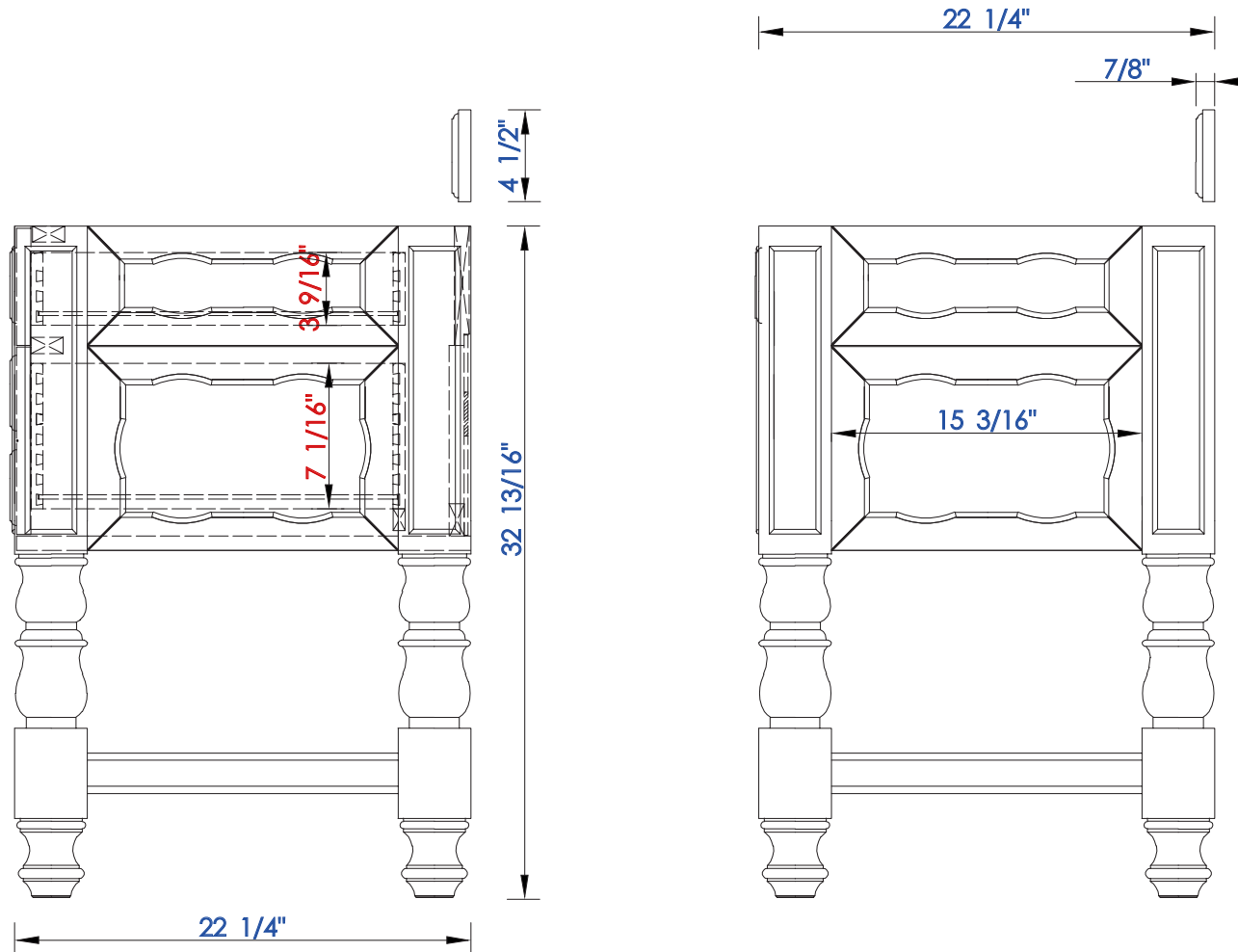
JAMES MARTIN



VANITIES

Castilian 60" Single Vanity

Diagrams with Dimensions
page 03 of 03



NOTE ONE: Countertops are not shown in these diagrams. (Cabinet Only)

NOTE TWO: Wood Backsplash (Shown) is designed for the molding detail to align with sinks in James Martin's Optional Countertops.

Customer's own countertops and sinks may align differently.

Please consult our website for Countertop Diagrams: www.jamesmartinvanities.com

1524 mm

Item Number:

JAMES MARTIN

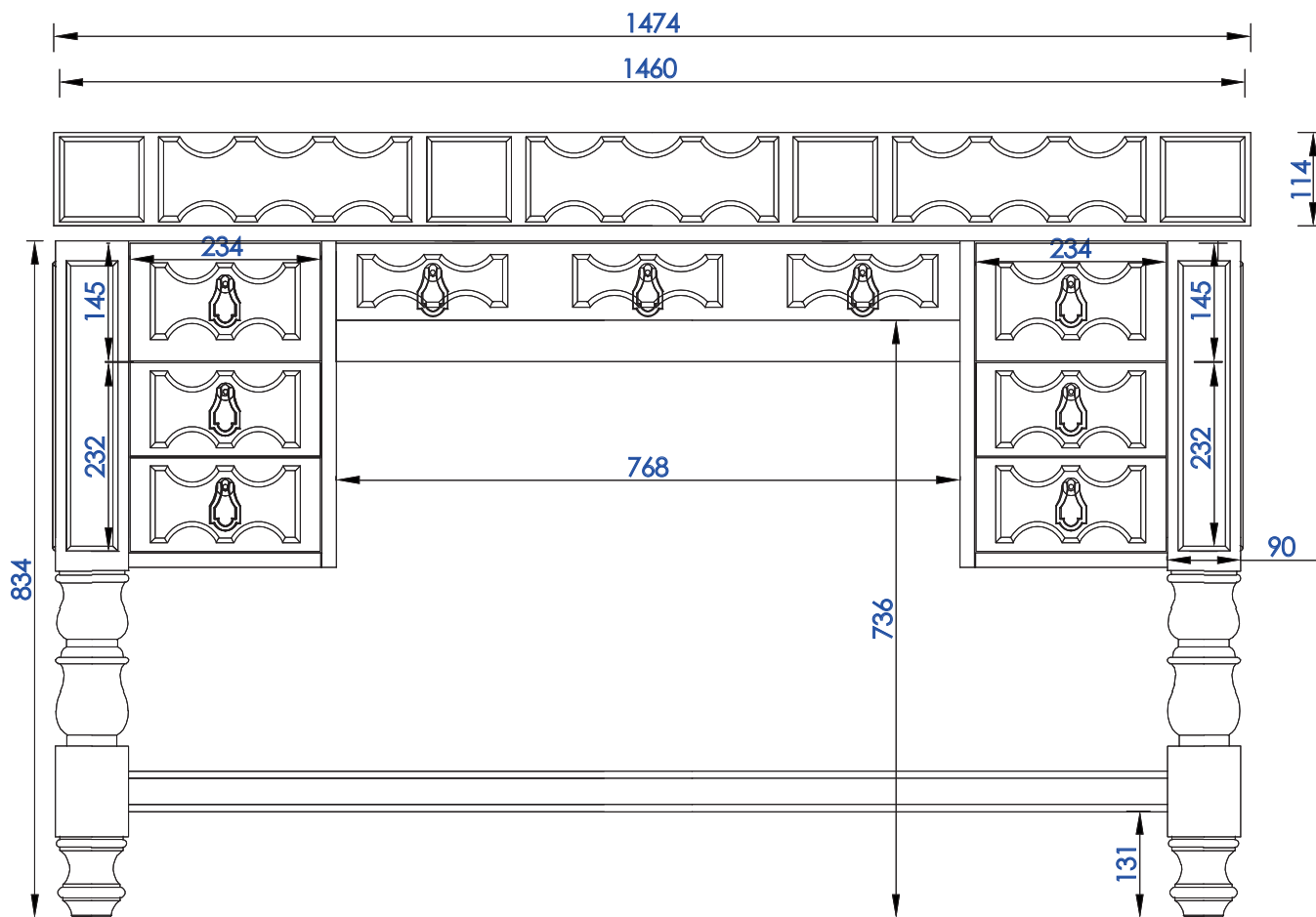
Castilian 1524mm Single Vanity

161-V60S-ACG
161-V60S-EG
161-V60S-VV



VANITIES

Diagrams with Dimensions
page 01 of 03



NOTE ONE: Countertops are not shown in these diagrams. (Cabinet Only)

NOTE TWO: Wood Backsplash (Shown) is designed for the molding detail to align with sinks in James Martin's Optional Countertops.

Customer's own countertops and sinks may align differently.

Please consult our website for Countertop Diagrams: www.jamesmartinvanities.com

1524 mm

Item Number:

JAMES MARTIN

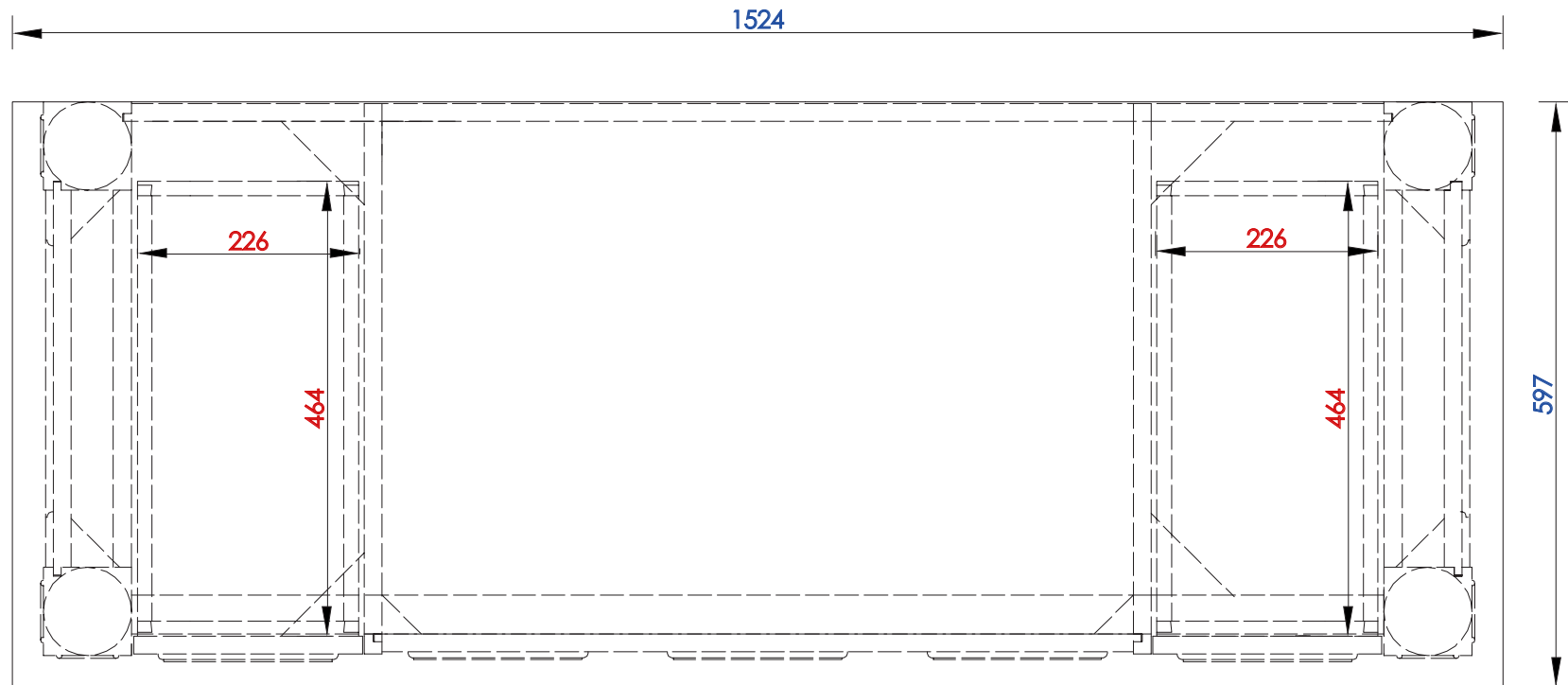
Castilian 1524mm Single Vanity

161-V60S-ACG
161-V60S-EG
161-V60S-VV



VANITIES

Diagrams with Dimensions
page 02 of 03



NOTE ONE: Countertops are not shown in these diagrams. (Cabinet Only)
Please consult our website for Countertop Diagrams: www.jamesmartinvanities.com

1524 mm

Item Number:

161-V60S-ACG
161-V60S-EG
161-V60S-VV

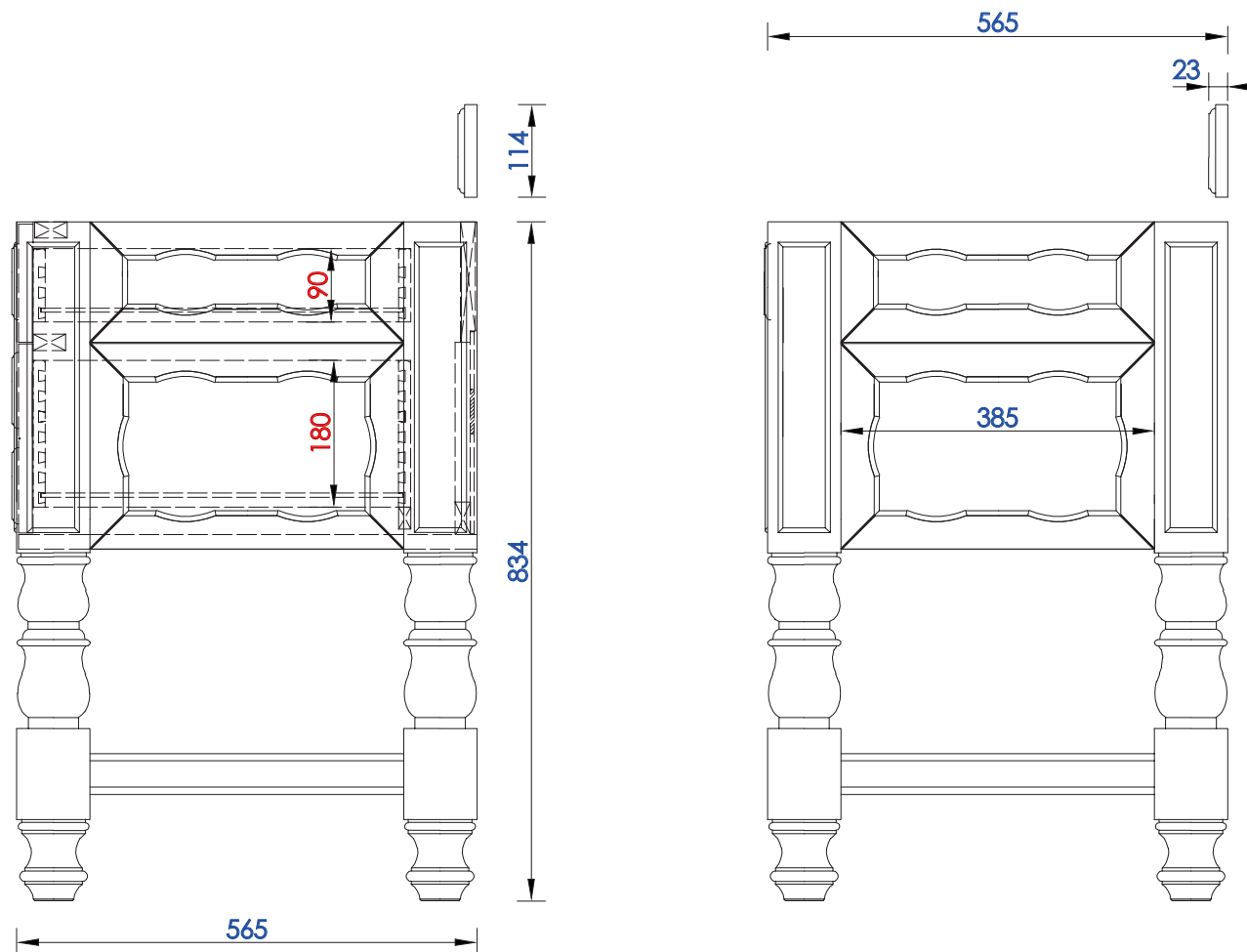
JAMES MARTIN



VANITIES

Castilian 1524mm Single Vanity

Diagrams with Dimensions
page 03 of 03



NOTE ONE: Countertops are not shown in these diagrams. (Cabinet Only)

NOTE TWO: Wood Backsplash (Shown) is designed for the molding detail to align with sinks in James Martin's Optional Countertops.

Customer's own countertops and sinks may align differently.

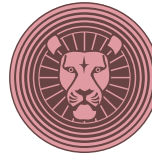
Please consult our website for Countertop Diagrams: www.jamesmartinvanities.com

60"

Item Number:

161-V60S-BW/SL

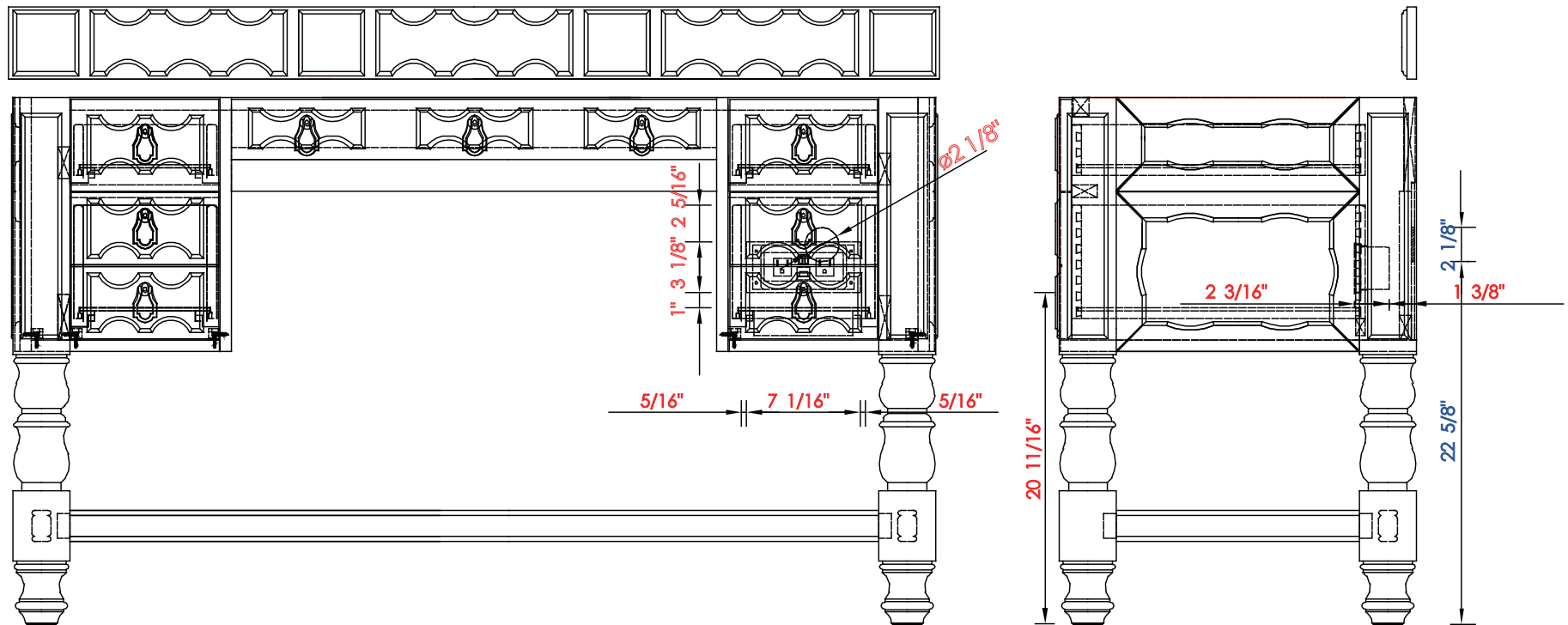
JAMES MARTIN



VANITIES

Castilian 60" Cabinet

Diagrams with Dimensions
page 01 of 01

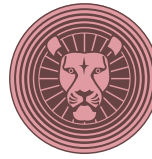


1524 mm

Item Number:

161-V60S-BW/SL

JAMES MARTIN



VANITIES

Castilian 1524mm Cabinet

Diagrams with Dimensions
page 01 of 01

