



# Melea™

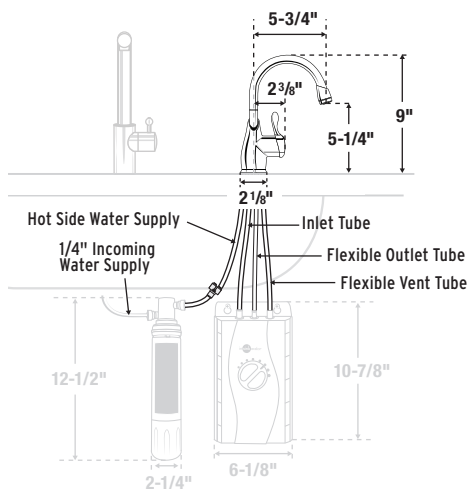
## Instant Hot Water Dispenser Faucet

F-H1400

### Features

- Dispenses near-boiling, filtered water
- Efficient and time saving
- Single hole installation
- Spout swivels 360-degrees for convenience
- Flexible connectors for easy installation
- Constructed of high quality, low lead brass
- 40° turn ceramic disc valve
- 0.8 gallons per minute maximum flow rate at 60 psi
- For use with InSinkErator® hot water tank and filtration system (sold separately)
- Unit not for commercial/industrial use

### Dimensions



<b>Supply Connection</b>	3/8" Compression
<b>Required Sink Hole Diameter</b>	1-1/4" - 1-1/2" Standard Sink Hole
<b>Required supply pressure</b>	25-125 psi (172-862 kPa or 1.7-8.6 bar)
<b>Backsplash Clearance</b>	Minimum 2" required from sink hole center to backsplash
<b>Counter Thickness</b>	Maximum of 3"

### Finishes:

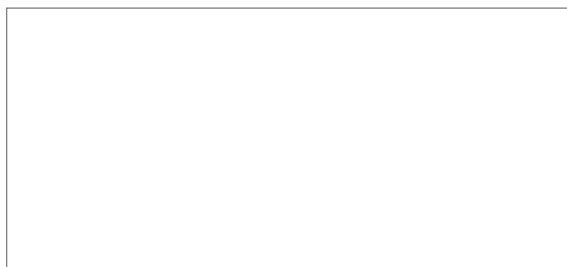
Chrome, Satin Nickel, Matte Black, Oil-Rubbed Bronze and Polished Nickel

### Warranty:

*We Come To You*® 5-Year In-Home Limited Warranty. Covers parts and labor.

\* The complete InSinkErator warranty is included in the Care & Use booklet with each unit.

### Job Specifications



USA  
1-800-558-5700  
www.insinkerator.com

InSinkErator may make improvements and/or changes in the specifications at any time, in its sole discretion, without notice or obligation and further reserves the right to change or discontinue models.

© 2016 InSinkErator, InSinkErator® is a business unit of Emerson Electric Co. All Rights Reserved.