

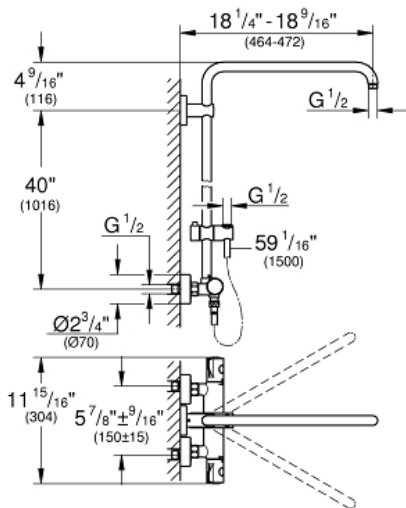
Shower system with thermostat for wall mounting

MODEL # 26419000

Pure Freude an Wasser

GROHE

GROHE America, Inc | 200 North Gary Avenue, Suite G, Roselle, IL 60172
Phone: +1 (800) 444-7643 | Fax: +1 (800) 225-2778 | us-customerservice@grohe.com



Product Description:

Shower system with thermostat for wall mounting

Standard Specification:

- 17 3/4" horizontal swivel shower arm
- Exposed thermostat with Aquadimmer that diverts between hand shower and showerhead
- ADA Compliant handles
- Showerhead and hand shower (not included)
- Bar with adjustable height hand shower holder
- Rotaflex shower hose (1500 mm) (28 417)
- **GROHE TurboStat** Compact cartridge with wax thermoelement
- **GROHE StarLight** chrome finish
- Exposed thermostatic temperature control with SafeStop at 100°F/38°C
- Inner WaterGuide for a longer life
- Twistfree to prevent hose from twisting
- Min. recommended pressure: 15 psi
- CALGreen compliant
- Two discrete functions (non-shared)
- Includes adaptors for easy installation (depth adjustable)

Color:

- 26419000 chrome