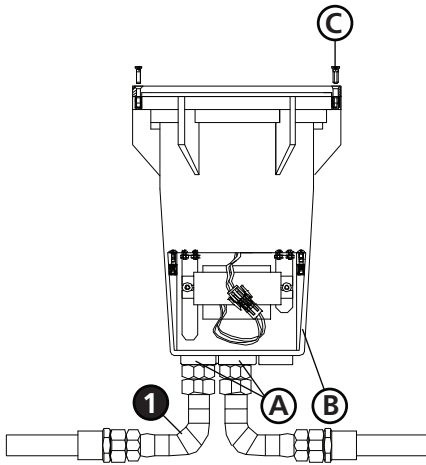


Drawing 1 - Fixture Mounting



▼ start here

1

1. Find a clear area in which you can work.
2. Carefully review instructions prior to assembly.
3. Gather tools required: **WIRE STRIPPERS, PHILIPS HEAD SCREWDRIVER, SHOVEL, TEFLON TAPE, THREAD SEALANT, AND PIPE SEALER.**
 - Save these instructions for future reference.

WARNING: COMPOSITE IN GROUND BALLAST MUST BE INSTALLED AND GROUNDED IN ACCORDANCE WITH THE NATIONAL ELECTRICAL CODE (NEC) AND LOCAL CODES. FAILURE TO DO SO MAY RESULT IN SERIOUS INJURY AND/ OR DAMAGE TO THE LUMINAIRES AND IN GROUND BALLAST BOX.

ALWAYS USE UL RECOGNIZED WIRE CONNECTORS FOR CONNECTIONS.

IN GROUND BALLAST BOX IS ETL LISTED FOR BELOW GRADE INSTALLATION ONLY.

2

1. To prevent electrical shock, disconnect from the electrical supply before servicing.
2. Dig hole approximately 14" deep by 12" diameter - see **Drawing 1**.
3. Install conduit (**1**) not provided through bottom hole (**A**) in bottom of ballast box (**B**), using Teflon tape or other thread sealant not provided.
 - Position ballast box top cover (**C**) to protruded above grade to allow for cover removal.
 - UL listed flexible conduit (**1**) (not provided) is recommended for in and out connections to ease fixture position and adjustment during installation.
 - For a more secure installation, rebar bracing is recommended. Drill a hole for a 1/4" bolt and nut in two of the stiffeners (**3**) - **see Drawing 2 on reverse side** - located on the side of the luminaire. Attach perforated strap (plumbers tape) (not provided) to the drilled holes with 1/4" nuts and bolts not provided.
4. Please refer to the back of this sheet for instructions on how to seal the wire compartment and complete installation of this fixture.

Use with the following fixtures:

Info 54000 BZ: Lamp Type is R20, R40, PAR20, PAR 38.

Maximum Wattage is 50 watts per bulb.

Info 55000 BZ: Lamp Type is Metal Halide, Medium Base.

Maximum Wattage is 175 watts per bulb.

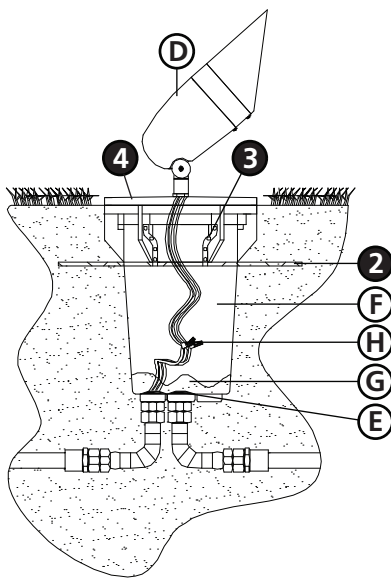
3.4.08



mounting instructions

Family: 120V Series Large Burial Box | Item No. 53000 BZ

Drawing 2 - Fixture Mounting



1

1. Use Mastic (**E**) to seal the conduit entries from inside wire compartment (**F**) to ensure the sealant (**G**) does not flow down the conduit - see **DRAWING 2**.
2. Push wire nut connections (**H**) to the bottom of the wiring compartment.
3. Remove sealant pouch from protective cover (**C**). Grasp both sides of sealant pouch (**G**) and pull until there is no barrier between both solutions in the pouch.
4. Mix the sealant (**G**) by alternately squeezing each end of sealant pouch, moving the sealant back and forth until solutions are completely mixed together.
5. Cut corner of the sealant pouch (**G**) and immediately pour into wiring compartment covering the wire nuts (**H**).
6. Allow sealant to dry (approximately 20 minutes).
7. Replace silicone gasket and cover (**C**) and tighten screws (**4**) evenly.
8. Supply power to the ballast box and check for proper operation.
9. Please refer back to the front of this sheet to install lamp and complete the installation of this fixture.



WARNING: TO REDUCE THE RISK OF FIRE, OR INJURY TO PERSONS:

1. Turn off/unplug and allow to cool before replacing lamp.
2. Lamps get hot quickly! Contact only switch/plug when turning on.
3. Do not touch hot lens, guard or enclosure.
4. Keep lamp away from material that may burn.
5. Do not operate luminaire fitting with a missing or damaged cover.