

# ELKAY<sup>®</sup> SPECIFICATIONS

## Gourmet Undermount Sink with Perfect Drain™ Model ELUH2416PD Series

### IMPORTANT! ELU / ELUH Update

ELUH models have been redesigned to accommodate 1/2" reveal and no reveal installation options. ELU models should be ordered as ELUH.

### GENERAL

Highest quality sink formed of #18 (1.2mm) gauge, type 304 (18-8) nickel bearing stainless steel with **Perfect Drain**. Undermount.

### DESIGN FEATURES

Bowl Depth: See chart on next page.

Coved Corners: 1-3/4" (44mm) horizontal and vertical radii.

Finish ELUH2416(10)PD: Exposed surfaces are hand blended to a Lustrous Highlighted Satin finish.

Underside: Fully protected by Sound Guard<sup>®</sup> undercoating to reduce condensation and dampen sound.

**Perfect Drain:** Seamlessly welded stainless steel collar eliminates the gap between a traditional drain and the sink for a sanitary and gap free installation.

Each sink shipped with one LKPD1 drain kit, or a garbage disposer can be installed on the sink bowl for user convenience.

### Patent Pending

### OTHER

Drain opening: 3-3/8" (86mm)

NOTE: All Elkay undermount sinks are designed to affix to the underside of any solid surface countertop.

Waste Fitting complies with ASME A112.18.2/CAN/CSA-B125.2

Sink complies with ASME A112.19.3/ CSA B45.4



Sinks are listed by IAPMO<sup>®</sup> as meeting the applicable requirements of the Uniform Plumbing Code<sup>®</sup>, International Plumbing Code<sup>®</sup>, and National Plumbing Code of Canada.

### OPTIONAL ACCESSORIES

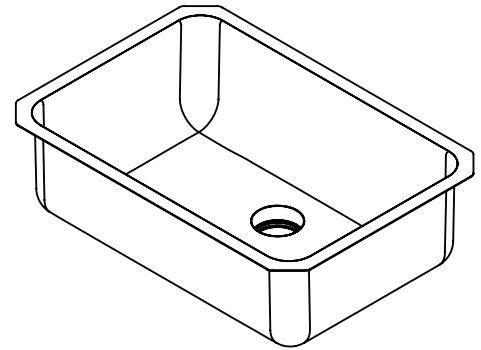
Bottom Grid: LKWOBG2416SS

Cutting Boards: (Reveal mount only) CB1713, CBS1316

Mounting Clip: LKUCLIP8

Rinsing Basket: LKWWRB2416SS, LKWERBSS

Utensil Caddy for Rinsing Basket: LKWUCSS



Model ELUH2416PD

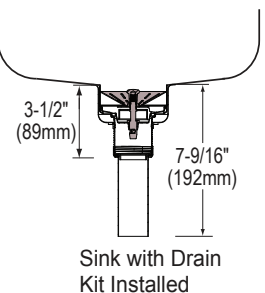
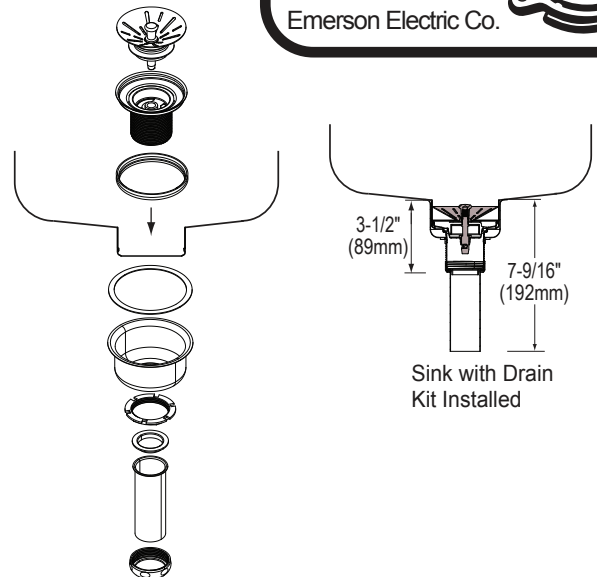
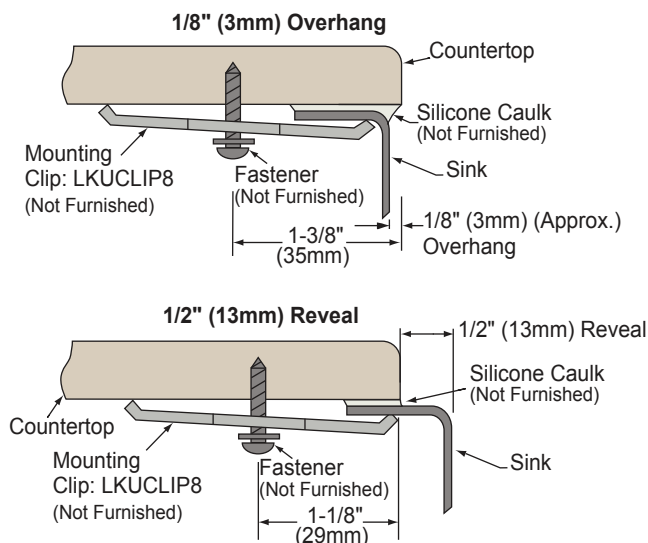
in sink erator<sup>®</sup>

Elkay<sup>®</sup> Perfect Drain™ sinks are designed and approved for compatible disposers manufactured by InSinkErator<sup>®</sup> utilizing the Quick Lock<sup>®</sup> mounting configuration. Use of non-approved disposers may void Elkay warranty.

InSinkErator, Quick Lock and the mounting collar configuration are trademarks of Emerson Electric Co.



### Installation Profile



In keeping with our policy of continuing product improvement, Elkay reserves the right to change product specifications without notice. Please visit [elkay.com](http://elkay.com) for the most current version of Elkay product specification sheets.

This specification describes an Elkay product with design, quality, and functional benefits to the user. When making a comparison of other producers' offerings, be certain these features are not overlooked.

# ELKAY<sup>®</sup>

## SPECIFICATIONS

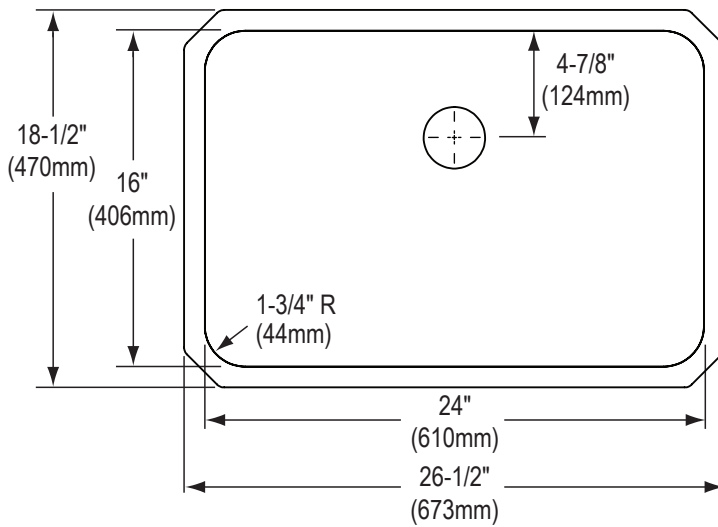
### Gourmet Undermount Sink with Perfect Drain™ Model ELUH2416PD Series

#### SINK DIMENSIONS\*

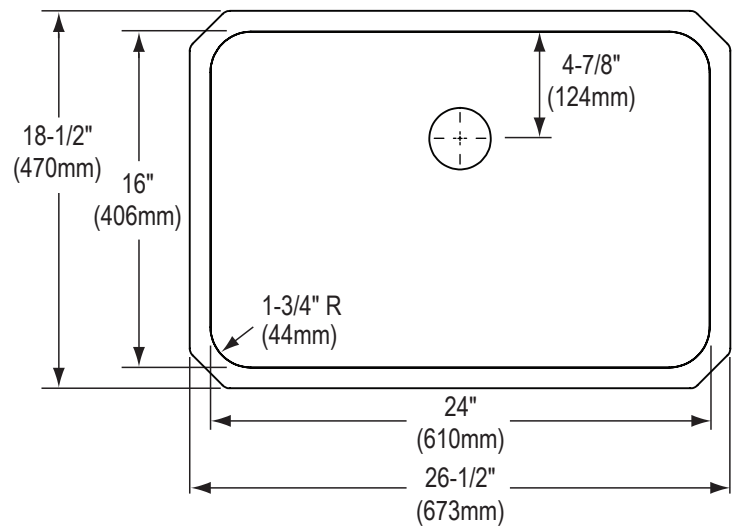
Model Number	Overall			Inside Each Bowl			Cutout in Countertop	Minimum Cabinet Size
	L	W	D	L	W	D		
ELUH2416PD	26-1/2 (673mm)	18-1/2 (470mm)	9-1/2 (241mm)	24 (610mm)	16 (406mm)	8 (203mm)	See Template**	30 (762mm)
ELUH241610PD	26-1/2 (673mm)	18-1/2 (470mm)	11-1/2 (292mm)	24 (610mm)	16 (406mm)	10 (254mm)		30 (762mm)

\*Length is left to right. Width is front to back.

\*\*Template #1000001376 is packed with every sink.



ELUH2416PD Model



ELUH241610PD Model

In keeping with our policy of continuing product improvement, Elkay reserves the right to change product specifications without notice. Please visit [elkay.com](http://elkay.com) for the most current version of Elkay product specification sheets.

This specification describes an Elkay product with design, quality, and functional benefits to the user. When making a comparison of other producers' offerings, be certain these features are not overlooked.