

PRODUCT SPECIFICATIONS

Elkay Crosstown® Stainless Steel 33-7/8" x 17" x 9" Double Bowl Farmhouse Sink with Aqua Divide for Interchangeable Apron™. Sink is manufactured from 16 gauge 304 Stainless Steel with a Polished Satin finish, Rear Center drain placement, and Sound Guard. Interchangeable Aprons are sold separately.

Installation Type:	Apron Front
Material:	304 Stainless Steel
Special Features:	Aqua Divide, Interchangeable Apron
Finish:	Polished Satin
Gauge:	16
Sound Deadening:	Sound Guard
Number of Bowls:	2
Sink Dimensions:	35-7/8" x 20-5/16" x 9"
Bowl 1 Dimensions:	16-7/16" x 17" x 9"
Bowl 2 Dimensions:	16-7/16" x 17" x 9"
Drain Size:	3-1/2" (89mm)
Drain Location:	Rear Center
Minimum Cabinet Size:	36"
Mounting Hardware:	Part # 54300008 included

Special Note: Apron(s) for Crosstown Farmhouse Sink with Interchangeable Apron feature sold separately.

Interchangeable Apron: The stylish look of a farmhouse sink with the ability to change the color and material of the apron from day to night, or whenever the mood strikes you. **Patents Pending**



*Apron sold separately.

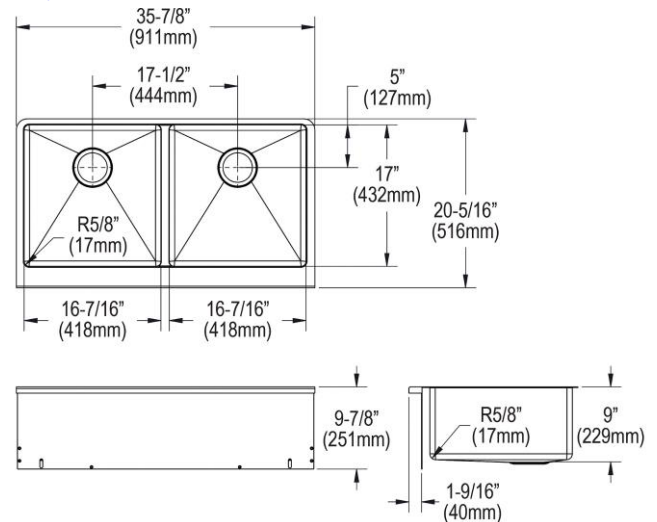
AMERICAN PRIDE. A LIFETIME TRADITION.
Like your family, the Elkay family has values and traditions that endure. For almost a century, Elkay has been a family-owned and operated company, providing thousands of jobs that support our families and communities.

Product Compliance: ASME A112.19.3/CSA B45.4



Sinks are listed by IAPMO® as meeting the applicable requirements of the Uniform Plumbing Code®, International Plumbing Code®, and National Plumbing Code of Canada.

[Clean and Care Manual \(PDF\)](#)
[Installation Instructions \(PDF\)](#)
[Warranty \(PDF\)](#)



PART: _____ QTY: _____

PROJECT: _____

CONTACT: _____

DATE: _____

NOTES: _____

APPROVAL: _____

Interchangeable Apron Color Options

In keeping with our policy of continuing product improvement, Elkay reserves the right to change product specifications without notice. Please visit elkay.com for the most current version of Elkay product specification sheets. This specification describes an Elkay product with design, quality, and functional benefits to the user. When making a comparison of other producers' offerings, be certain these features are not overlooked.

(sold separately)

Stainless Steel:



Champagne
CTXACP
(CP)

Graphite
CTXAGT
(GT)

Platinum
CTXAPL
(PL)



Sapphire
CTXASP
(SP)



Scarlet
CTXASC
(SC)



Sunset
CTXASN
(SN)

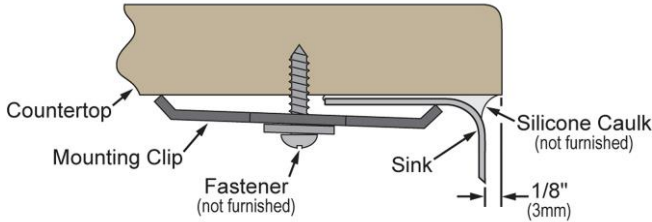
Fireclay:



Glacier
CTXAFCGL
(GL)

Installation Profile:

1/8" OVERHANG



Designed to affix to the underside of any solid surface countertop.

OPTIONAL ACCESSORIES

Bottom Grid:	CTXFBG1516
Drain:	LKDD, LK99S, LK35
Faucet:	LKAV4061, LKEC2031, LKEC2037, LKAV4032

In keeping with our policy of continuing product improvement, Elkay reserves the right to change product specifications without notice. Please visit elkay.com for the most current version of Elkay product specification sheets. This specification describes an Elkay product with design, quality, and functional benefits to the user. When making a comparison of other producers' offerings, be certain these features are not overlooked.