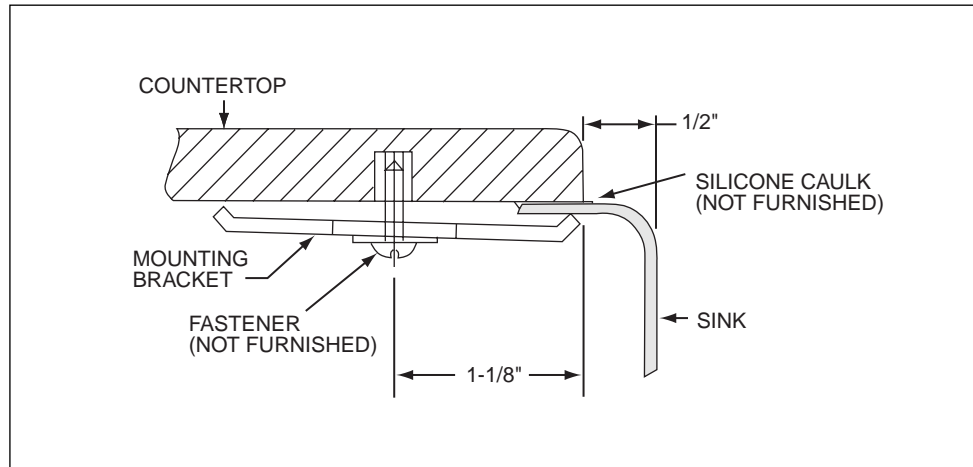


I. Undermount Sinks



ATTENTION INSTALLER:

- 1) Elkay recommends that undermount sinks should be installed by a professional experienced installer.
- 2) **WARNING:** The enclosed cutout template will create a countertop opening that will expose approximately 1/2" of sink rim ledge. It is recommended that you discuss this with your customer and agree that this finished appearance is the desired effect. Elkay is not responsible for improper sink or countertop installations. Due to the aesthetic qualities of the converging bowl radii, the template furnished with each sink provides the only opening recommended for installation of Elkay undermount sinks. See illustration above.
- 3) Elkay undermount sinks should only be fastened to a solid surface countertop (i.e. granite/Corian®/Silestone®).
- 4) Elkay is not responsible for sink or countertop if damaged during installation.
- 5) Metal edges may be sharp – use caution when handling.
- 6) Follow all local plumbing and building codes.
- 7) Inspect sink for damage prior to beginning installation.

INSTALLING SINK

1. Position template on countertop. Locate the template front to rear, so that sink will not interfere with the cabinet.
2. Trace a line around the template. Cut along the inside of this line to provide opening. This size opening will provide approximately a 1/2" Reveal. (Please see item #2 under Attention Installer.)
3. Locate and drill the mounting holes (following the countertop manufacturer's instructions) as shown above. Holes should allow even spacing of mounting brackets around the sink. Type of fasteners to be as recommended by countertop supplier.
4. Fasten mounting brackets to countertop loosely.
5. Using a good quality silicone caulk, apply a bead evenly all around the top of the sink flanges.
6. Position and align sink over the countertop opening. Press silicone onto countertop.
7. Tighten fasteners until mounting brackets are snug against sink.
8. Check alignment of sink to countertop opening.
9. Tighten down fasteners evenly. Be careful not to over-tighten. Remove excess silicone.

II. Drop-in/ Self Rim Sinks

STEP ONE

Place sink upside down on countertop surface. Place sink in exact position for installation and pencil completely around sink to create a sink outline.

STEP TWO

Scribe actual opening $5/16"$ inside the sink outline, all the way around.

STEP THREE

Cut out on inside of this line (following the manufacturer's instructions). If sink comes with a faucet deck, install faucet to sink and tighten.

STEP FOUR

Apply a silicone sealer around entire perimeter of opening. Set bowl into opening.

STEP FIVE

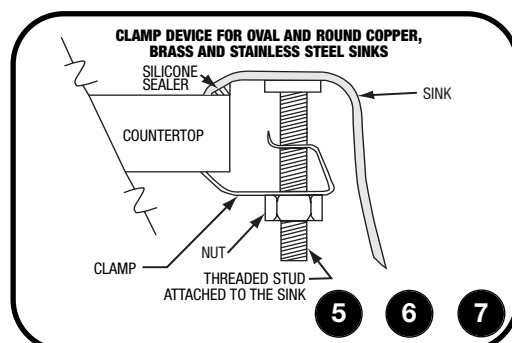
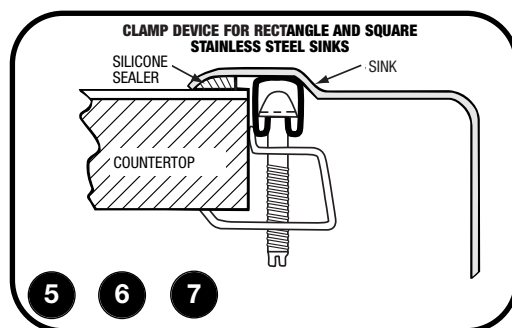
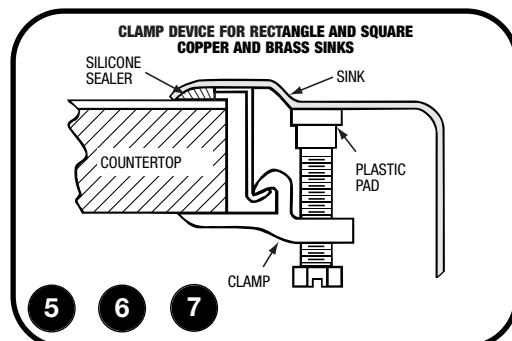
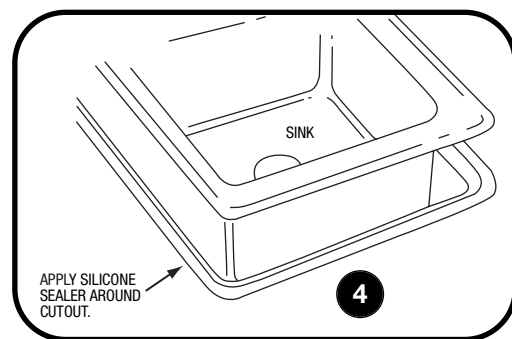
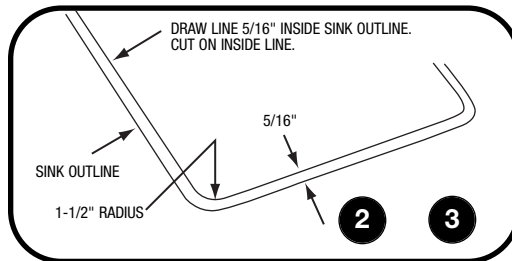
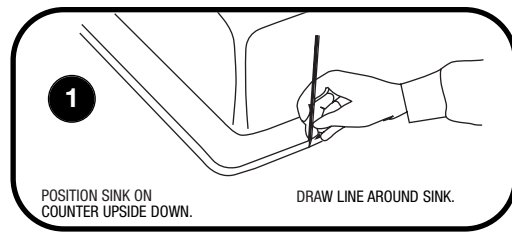
From underside of sink, place one clamp near center, tighten by hand enough to hold sink in place. This applies to all four sides. Fasten balance of clamps in position and hand tighten. (Usually 3 clamps on end, balance divided equally front and back). Space clamps as equally as possible.

STEP SIX

From the top side, check seal between rim and countertop. Adjust clamps to high spot if necessary.

STEP SEVEN

Tighten clamp evenly with screwdriver or socket wrench in rotation until sink is seated with countertop. **Caution:** Do not overtighten clamps.



III. Universal Mount Sinks

Oval and round shape sinks can be installed as either undermount or drop-in/self rim applications. For undermount applications, install sink following undermount instructions. For drop-in/self rim applications, install sink following drop-in/self rim instructions (disregard the 1-1/2" radius corners requirement).

NOTE: The template included for universal mount sinks is for undermount installations only. Do not use the template for drop-in/self rim installations.

Specialty Collection Use and Care Guide

Water Spotting

The quality of your water can affect your sink's appearance. In areas with hard water or high iron content, a brown surface stain can form on the sink. Additionally, in areas with a high concentration of minerals, or with over-softened water, a white film may develop on the sink. To combat this problem, we suggest that you ***rinse your sink thoroughly and towel dry*** it after each use.

Liquid Soap

Do not allow concentrated liquid detergent to dry on your sink. Most brands contain chemical additives that will affect the finish.

Chlorides

Today, chlorides are found in most all soaps, detergents, bleaches and cleansers. Chlorides are especially not friendly to the stainless steel surface. They should not come in contact with the surface of the sink for extended periods. When these chemicals are used in your sink, it should be thoroughly rinsed.

Foods

Foods containing salt or are acidic in nature can cause pitting and corrosion. Avoid prolonged exposure and do not allow them to dry onto the sink surface. ***Rinse your sink thoroughly and towel dry*** after each use.

Specialty Collection Stainless Steel Sinks

Easy Care and Cleaning Instructions

Your Specialty Collection stainless steel sink will retain its original appearance if after each use, the sink is rinsed thoroughly and towel dried. Never use abrasive cleaners or steel wool.

Specialty Collection Brass and Copper Sinks

Brass and copper have distinctive material properties and are typically softer than other common metals. Brass and copper have a living finish and their surfaces tarnish naturally. **You can expect tarnish, scratches, and dents to appear in your sink over time.** These effects will not influence your sink's basic function, but will produce the unique and appealing look associated with brass and copper products. (A Specialty Collection sink that becomes tarnished is not defective and should not be returned.)

Easy Care and Cleaning Instructions

After each use, ***rinse the sink and towel dry it thoroughly***. Residue left in the sink or on the surface will cause the sink to tarnish more quickly. It is easier to clean the sink promptly, than to remove tarnish later. To

clean your sink, use an ordinary mild detergent and soft cloth, rinse it thoroughly with clean water, and dry it with a soft cloth or towel. **Do not use harsh alkaline-based, ammonia-based, or harsh acidic-based cleaning chemicals or products to clean your sink.** Abrasive cleaners and scouring pads will scratch the surface of your sink. For added protection, coat with a fine automotive wax.

Stains and Tarnish

Remember, brass or copper sinks do not have a protective coating. As for any fine brass or copper fixtures, to remove stains and tarnish, use a good quality brass or copper cleaner. Follow the manufacturer's instructions.

ELKAY®

SPECIALTY COLLECTION WARRANTY

Elkay warrants to the original purchaser of an Elkay Specialty Collection sink that Elkay will, at its option, replace, without charge, such product if it fails due to a manufacturing defect for a lifetime of normal residential use. Product replacement does not include transportation cost or labor installation cost. This warranty covers only the sink when a self-rimming drop-in sink is installed in a conventional countertop surface or an undermount sink is installed in a conventional solid surface countertop in residential applications. Elkay reserves the right to examine product in question and its installation prior to replacement. This warranty does not apply to defect or damage caused by:

1. Failure to follow the recommended procedures for installation, care and maintenance.
2. Tarnish and discoloration.
3. Dents or scratches.

This warranty applies only to Specialty Collection sinks:

1. Used only in residential applications.
2. Which fail due to manufacturing defect.
3. Which have not been moved from original installation location.

Other Warranty Conditions

Our warranty does not cover product failure or damage caused by abusive treatment, misuse, environmental factors, improper care and cleaning, damage due to handling or faulty installations or claims of defect related to tarnish and discoloration. This warranty is extended only to the original consumer purchaser of the product. This warranty does not cover shipping costs, labor costs, or any other charges for such items as installation or replacement of the sink, diagnosis or replacement of any faucet or component part, or any other expense or loss.

All incidental or consequential damages are specifically excluded. No additional warranties, express or implied are given. Any implied warranty, including one of merchantability or fitness for a particular purpose, is limited to the duration of this written warranty.

Some states do not allow the exclusion or limitation of incidental or consequential damages or limitations on how long an implied warranty lasts, so the above limitations or exclusions may not apply to you.

This warranty gives you specific legal rights, and you may also have other rights which vary from state to state.

TO OBTAIN SERVICE UNDER WARRANTY

1. Write to: Elkay
Attention: Consumer Services
2222 Camden Court
Oak Brook, IL 60523
2. Include a letter containing the following information:
 - a. Date of purchase and installation
 - b. Description of nature of defect
 - c. Model number or description of model and/or component part if possible.