

# Electric Double Wall Oven

professional series

**E30EW85PPS**



## Signature Features



### Perfect Taste™ Dual Convection

For consistently delicious taste and texture, home chefs rely on our dual-fan convection heat, which circulates air evenly with two variable speeds that work in tandem with three heating elements.



### Perfect Taste™ Temp Probe

The Perfect Taste™ Temp Probe does more than measure temperature — it keeps an active eye on your dishes by alerting you when food is at the peak of perfection and automatically adjusting to the Keep Warm setting.



### Multi-Stage Cooking

Create great taste with ease. With Multi-Stage Cooking, an Electrolux ICON® oven is a built-in sous chef, helping you conquer delicious by adjusting between seven professionally inspired cooking modes, including Bake, Broil, Convection Bake, Convection Roast, Convection Broil, Keep Warm and Slow Cook.



### Self-Cleaning Porcelain Racks

Bake, roast, broil, savor — the cleaning's on us. Our porcelain racks are safe to stay inside of the oven during the self-clean cycle, eliminating the mess and inconvenience of removing and cleaning racks by hand.

## PRODUCT DIMENSIONS

Height	50-7/16"
Width	30"
Depth	24-3/4"

## MORE EASY-TO-USE FEATURES

### Large Capacity

Coordinate an entire meal — our ovens feature 4.8 cu. ft. of cooking space with three adjustable baking racks.

### Flat Oven Door Design

Our unique flat oven door is sleekly designed with fewer bumps and ridges — so it not only looks great but is easier to clean.

### Smooth-Glide® Oven Racks

With a ball bearing system, the oven racks are so smooth they extend effortlessly.

### Rapid Preheat

Savor sooner, with Rapid Preheat.

### Precise Baking Options

Includes Defrost, Dehydrate, Bread Proof, My Favorites, Multi-Stage Cooking, Temperature Probe, Fast Preheat, Delay Bake and Convection Convert.

### Platinum Star® Limited Warranty

Our exclusive limited warranty that includes a 3-year coverage on parts and one year on labor without charge<sup>1</sup>.

<sup>1</sup>Eligibility based on product registration with Electrolux North America within 60 days of purchase.

## 30" ELECTRIC DOUBLE WALL OVEN

### OVEN FEATURES

Upper Oven Cavity	4.8 Cu. Ft.
Lower Oven Cavity	4.8 Cu. Ft.
Cobalt Blue Interior	Yes
Dual Fan Convection System	Yes
Hidden Bake Element	Yes
Convection Conversion	Yes
Preheat Control	Yes
Rapid Preheat	Yes
Keep Warm	Yes
Light Clean/Medium Clean/Heavy Clean	Yes
Self-Cleaning with Auto-Safety Latch™	Yes
Self-Cleaning Cycle	Yes
Smooth-Glide® Self-Clean Porcelain Oven Racks	2 per Oven
Standard Self-Clean Porcelain Oven Racks	1 per Oven
Theatre Lighting	Yes
Porcelain Broiler Pan with Grill	Included

### CONTROL PANEL FEATURES

Electronic Oven Control	Yes
Electronic Clock/Timer	Yes
Electronic Temperature Display	Yes
Glass Wave-Touch® Control with Blue LED Display	Yes
Toggle Control	Yes
"My Favorite" Settings	Yes
Custom-Set™ Options with Temperature Probe	Yes
Automatic Oven – Delay, Cook & Off	Yes
Electronic Lockout	Yes
Automatic Oven Shutoff – 12 Hour	Yes
Programmable for °F or °C	Yes
Integrated Halogen Oven Light – Touch Pad	Yes

### DOOR STYLE

Removable Door	Yes
Oven Door Window	Extra Large
All Glass Inner Door	Yes
Stainless Door Handle	Yes

### ADDITIONAL FEATURES

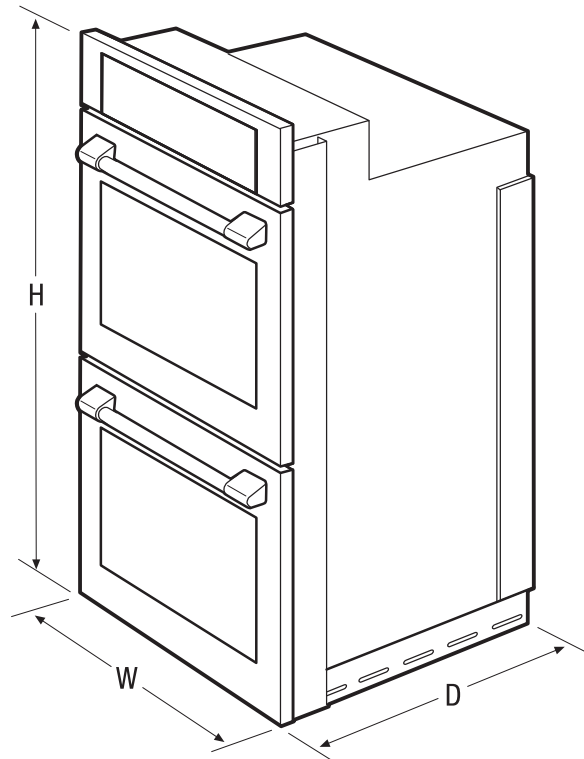
Sabbath Mode (Star-K® Certified)	Yes
----------------------------------	-----

### SPECIFICATIONS

Power Supply Location	Left Bottom Rear
Amps @ 240/208 Volts	39.6/34.1
Connected Load (kW Rating) @ 240/208 Volts	9.0/6.8
Bake Element (Watts @ 240/208 Volts)	2,000
Broil Element (Watts @ 240/208 Volts)	4,000
Convection Element (Watts @ 240 Volts)	2,500
Armored Electrical Cable	Included
Shipping Weight (Approx.)	305 Lbs.

NOTE: Always consult local and national electric codes. Refer to Product Installation Guide for detailed installation instructions on the web at [electroluxicon.com](http://electroluxicon.com).

Specifications subject to change.



NOTE: Always consult local and national electric codes. Refer to Product Installation Guide for detailed installation instructions on the web at [electroluxicon.com](http://electroluxicon.com).

### PRODUCT DIMENSIONS

Height	50-7/16"
Width	30"
Depth (Including Door)	24-3/4"
(with Door Open 90°)	45-3/4"

### OVEN CAVITY DIMENSIONS

Height	17-1/2"
Width	24-1/8"
Depth	19-1/2"

## Electrolux Major Appliances, N.A.

USA • 10200 David Taylor Drive • Charlotte, NC 28262 • 1-877-4electrolux (1-877-435-3287) • [electroluxicon.com](http://electroluxicon.com)  
 CANADA • 5855 Terry Fox Way • Mississauga, ON L5V 3E4 • 1-800-265-8352 • [electroluxicon.ca](http://electroluxicon.ca)



High standards of quality at Electrolux Home Products, Inc. mean we are constantly working to improve our products. We reserve the right to change specifications or discontinue models without notice.