

# Single Wall Oven

professional series

**E30EW75PPS**



## PRODUCT DIMENSIONS

|        |         |
|--------|---------|
| Height | 29"     |
| Width  | 30"     |
| Depth  | 24-3/4" |

## MORE EASY-TO-USE FEATURES

### Large Capacity

Coordinate an entire meal — our ovens feature 4.8 cu. ft. of cooking space with three adjustable baking racks.

### Flat Oven Door Design

Our unique flat oven door is sleekly designed with fewer bumps and ridges — so it not only looks great but is easier to clean.

### Smooth-Glide® Oven Racks

With a ball bearing system, the oven racks are so smooth they extend effortlessly.

### Rapid Preheat

Savor sooner, with Rapid Preheat.

### Precise Baking Options

Includes Defrost, Dehydrate, Bread Proof, My Favorites, Multi-Stage Cooking, Temperature Probe, Fast Preheat, Delay Bake and Convection Convert.

### Platinum Star® Limited Warranty

Our exclusive limited warranty that includes a 3-year coverage on parts and one year on labor without charge<sup>1</sup>.

### A.D.A. Compliant

When properly installed, this model is A.D.A.-qualified based on the United States Access Board's A.D.A./A.B.A. Accessibility Guidelines and the Department of Justice's 2010 A.D.A. Standards for Accessible Design.

## Signature Features



### Perfect Taste™ Dual Convection

For consistently delicious taste and texture, home chefs rely on our dual-fan convection heat, which circulates air evenly with two variable speeds that work in tandem with three heating elements.



### Perfect Taste™ Temp Probe

The Perfect Taste™ Temp Probe does more than measure temperature — it keeps an active eye on your dishes by alerting you when food is at the peak of perfection and automatically adjusting to the Keep Warm setting.



### Multi-Stage Cooking

Create great taste with ease. With Multi-Stage Cooking, an Electrolux ICON® oven is a built-in sous chef, helping you conquer delicious by adjusting between seven professionally inspired cooking modes, including Bake, Broil, Convection Bake, Convection Roast, Convection Broil, Keep Warm and Slow Cook.



### Self-Cleaning Porcelain Racks

Bake, roast, broil, savor — the cleaning's on us. Our porcelain racks are safe to stay inside of the oven during the self-clean cycle, eliminating the mess and inconvenience of removing and cleaning racks by hand.

<sup>1</sup>Eligibility based on product registration with Electrolux North America within 60 days of purchase.

# Electric Single Wall Oven

E30EW75PPS professional series



## 30" ELECTRIC SINGLE WALL OVEN

### OVEN FEATURES

|   |             |
|---|-------------|
| Oven Cavity                                   | 4.8 Cu. Ft. |
| Cobalt Blue Interior                          | Yes         |
| Dual Fan Convection System                    | Yes         |
| Hidden Bake Element                           | Yes         |
| Convection Conversion                         | Yes         |
| Preheat Control                               | Yes         |
| Rapid Preheat                                 | Yes         |
| Keep Warm                                     | Yes         |
| Light Clean / Medium Clean / Heavy Clean      | Yes         |
| Self-Cleaning with Auto-Safety Latch™         | Yes         |
| Self-Cleaning Cycle                           | Yes         |
| Smooth-Glide® Self-Clean Porcelain Oven Racks | 2           |
| Standard Self-Clean Porcelain Oven Racks      | 1           |
| Theatre Lighting                              | Yes         |
| Porcelain Broiler Pan with Grill              | Included    |

### CONTROL PANEL FEATURES

|   |     |
|---|-----|
| Electronic Oven Control                         | Yes |
| Electronic Clock/Timer                          | Yes |
| Electronic Temperature Display                  | Yes |
| Glass Wave-Touch® Control with Blue LED Display | Yes |
| Automatic Oven – Delay, Cook & Off              | Yes |
| Electronic Lockout                              | Yes |
| "My Favorite" Settings                          | Yes |
| Custom-Set™ Options with Temperature Probe      | Yes |
| Automatic Oven Shutoff – 12 Hour                | Yes |
| Programmable for °F or °C                       | Yes |
| Integrated Halogen Oven Light – Touch Pad       | Yes |

### DOOR STYLE

|                       |     |
|-----------------------|-----|
| Removable Door        | Yes |
| Extra-Large Window    | Yes |
| All Glass Inner Door  | Yes |
| Stainless Door Handle | Yes |

### ADDITIONAL FEATURES

|                                  |     |
|----------------------------------|-----|
| Sabbath Mode (Star-K® Certified) | Yes |
| A.D.A. Compliant*                | Yes |

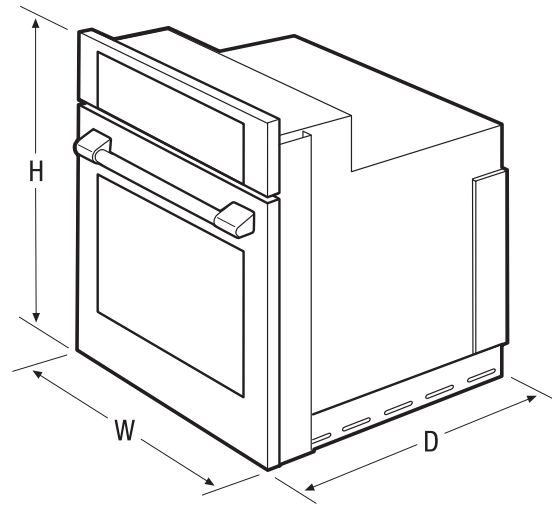
### SPECIFICATIONS

|   |                  |
|---|------------------|
| Power Supply Location                     | Left Bottom Rear |
| Approved for Under-Counter Installation** | Yes              |
| Amps @ 240 Volts                          | 18.8 / 16.3      |
| Connected Load (kW Rating) @ 240 Volts    | 4.5 / 3.4        |
| Bake Element (Watts @ 240 Volts)          | 2,000            |
| Broil Element (Watts @ 240 Volts)         | 4,000            |
| Convection Element (Watts @ 240 Volts)    | 2,500            |
| Armored Electrical Cable                  | Included         |
| Shipping Weight (Approx.)                 | 169 Lbs.         |

\*When properly installed, this model is A.D.A.-qualified based on the United States Access Board's A.D.A./A.B.A. Accessibility Guidelines and the Department of Justice's 2010 A.D.A. Standards for Accessible Design.

\*\*Single Wall Oven is approved to be used beneath Electrolux ICON® gas cooktop models E36GC70FSS and E30GC70FSS; and Electrolux ICON® electric cooktop models E36C75FSS, E30C75FSS, E36C80ISS, E30C80ISS, E36EC70FSS and E30EC70FSS. Gas and electric cooktop models NOT approved for use in this installation are E36GC75GSS, E36EC75ESS, E36EC75HSS, E36GC76GPS, E30GC74GPS, E48GC76EPS, E30EC65ESS and E36EC65ESS.

NOTE: Always consult local and national electric codes. Refer to Product Installation Guide for detailed installation instructions on the web at [electroluxicon.com](http://electroluxicon.com). Specifications subject to change.



NOTE: Always consult local and national electric codes. Refer to Product Installation Guide for detailed installation instructions on the web at [electroluxicon.com](http://electroluxicon.com).

### PRODUCT DIMENSIONS

|                        |         |
|------------------------|---------|
| Height                 | 29"     |
| Width                  | 30"     |
| Depth (Including Door) | 24-3/4" |
| (with Door Open 90°)   | 45-3/4" |

### OVEN CAVITY DIMENSIONS

|        |         |
|--------|---------|
| Height | 17-1/2" |
| Width  | 24-1/8" |
| Depth  | 19-1/2" |

## Electrolux Major Appliances, N.A.

USA • 10200 David Taylor Drive • Charlotte, NC 28262 • 1-877-4electrolux (1-877-435-3287) • [electroluxicon.com](http://electroluxicon.com)  
 CANADA • 5855 Terry Fox Way • Mississauga, ON L5V 3E4 • 1-800-265-8352 • [electroluxicon.ca](http://electroluxicon.ca)

E30EW75PPS 03/15

© 2015 Electrolux Home Products, Inc.



High standards of quality at Electrolux Home Products, Inc. mean we are constantly working to improve our products. We reserve the right to change specifications or discontinue models without notice.