

**SPECIFICATIONS**

**Features/Benefits**

- SnapBack<sup>®</sup> Retraction System
- Easily Adjustable GripLock<sup>®</sup> Weight
- 14 5/8" Spout Height, 6 3/4" Spout Reach
- 1.75 gpm (6.6 L/min) Max Flow @ 60 psi
- 2 Function Spray/Aerated Stream
- Ceramic Disc Cartridge
- 360 Degree Swivel Spout
- Single Hole Installation
- Optional Deck Plate, DA667229 (4") or DA665051 (8"), Sold Separately



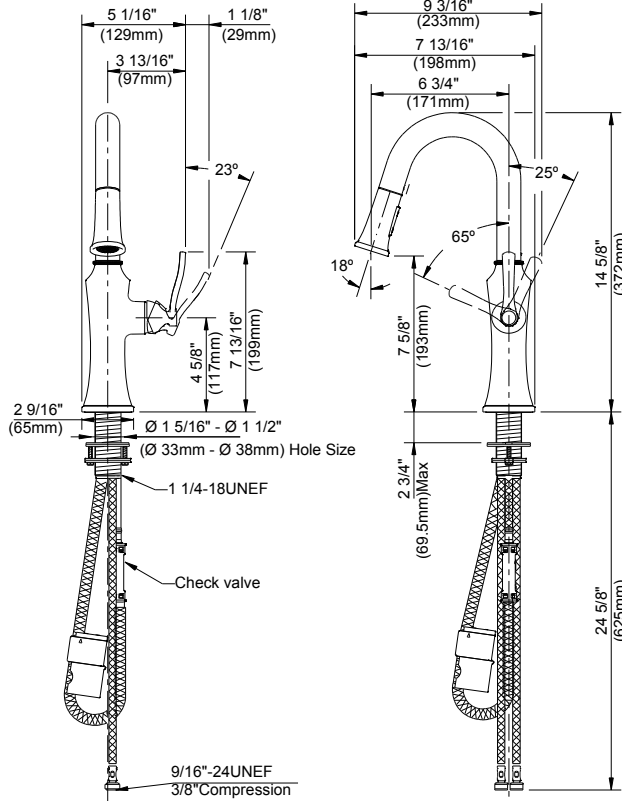
**Available Color/Finishes**

| Color | Description |
|-------|-------------|
|-------|-------------|

Chrome

Please see danze.com or current price list for available finishes. Finish is defined by additional suffix.

**Standards & Certifications**



**Submittal Information:**

Name: \_\_\_\_\_  
Location: \_\_\_\_\_

Contractor: \_\_\_\_\_  
Contact #: \_\_\_\_\_