

# CRAFTMADE

## Mondo 54" - MND54FB3

54" Ceiling Fan with Blades



A picture of modern design, the functional minimalism of the Mondo 54" ceiling fan is also a product of advanced engineering. The unique aileron design of the three long, graceful blades move air with remarkable efficiency.

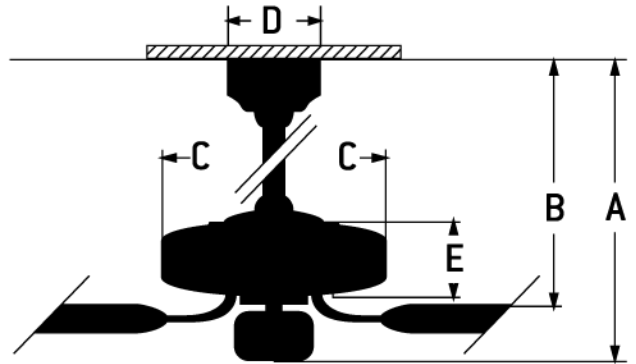
- Energy Saving, 6-Speed Reversible DC Motor
- 6" Downrod (Included)
- 54" Blades in Brushed Nickel (Included)
- Optional Light Kit: LK104-ESP-LED
- DC Remote & Wall Controls (Included)
- Dual Mount (Flat or angled ceiling)
- Suitable for Damp Locations
- Sophisticated DC Motor requires automatic 7-minute calibration period upon installation. The remote and wall controls are inoperable during that time, after which the fan, remote control and wall control (if applicable) will be fully operational.
- Remote Dimming

### Specs

Blade Sweep Opt (in.)	54
Blades	3
Blade Pitch (deg)	13
Motor Size (MM)	125x30
Amps at High Speed	0.47
Watts (Hi Speed)	33.10
Energy Guide Watts	34
Energy Guide CFM	5358
Energy Guide CFM_Watts	163
Energy Guide Est. Yearly Energy Cost	18
High Speed (CFM)	5,424.000
Low Speed (CFM)	1,150.000
Shipping Weight (lbs.)	11.24
Carton Size (CU FT)	1.74
Blade Options	Fits Only

## Dimensions

A:	14.40
B:	12.50
C:	4.92
D:	5.12
E:	9.26
F: w/o Light Kit - Downrod Length (in.)	6



## Downloads

### Mondo 54" - MND54FB3



[PDF Spec Sheet](#)



[Installation Guide](#)



[Energy Guide](#)

ENERGY INFORMATION at High Speed		
Airflow	Electricity Use	Airflow Efficiency
<b>5424</b>	<b>33</b>	<b>164</b>
Cubic Feet Per Minute	Watts (excludes lights)	Cubic Feet Per Minute Per Watt
Compare: 49" to 60" ceiling fans have airflow efficiencies ranging from approximately 51 to 176 cubic feet per minute per watt at high speed.		
Money-Saving Tip: Turn off fan when leaving room		