



Features:

- 304 Stainless Steel Coyote Signature Smoking Grate™
- Heat-resistant ceramic construction
- 254 sq. in. of cooking area
- Adjustable venting to maintain precise cooking temperatures
- Smoke, sear, grill option

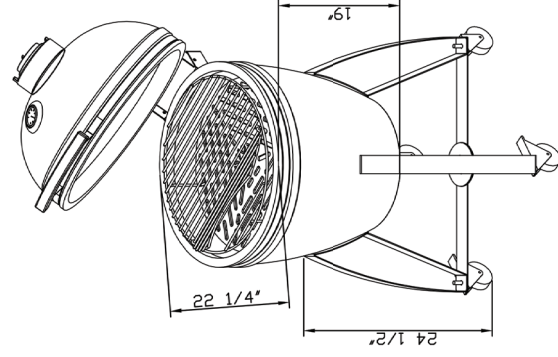
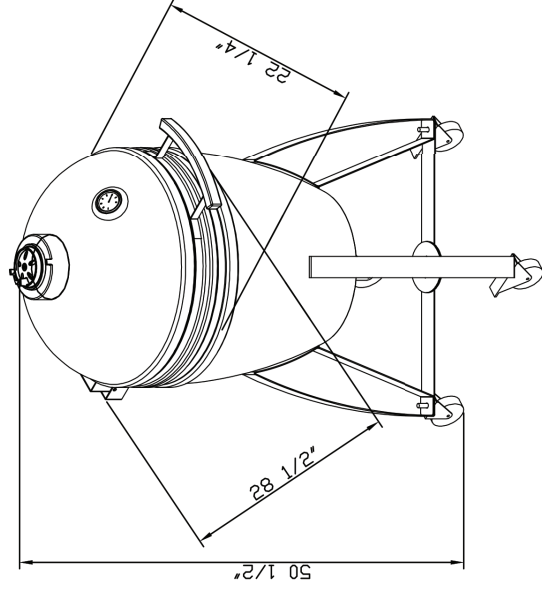
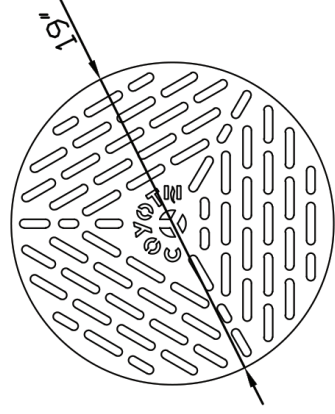
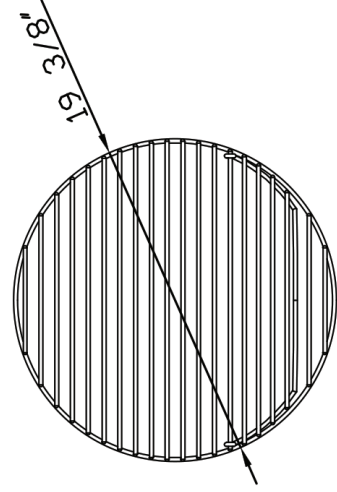
Dimensions:

- Overall: 22 1/4" Diameter x 34" Height
- Cutout: 22 1/2" Diameter x 17" Height

Accessories:

- Optional cart with side shelves (Model No. C1CHCS-FS)
- Pizza Stone & Elevator
- Heat Deflector
- Beer-Can Chicken Holder
- Cooking Grate Grippers
- Waterproof Cover

C1CHCS-FS SPECS



COYOTE

Outdoor Living

www.coyoteoutdoor.com