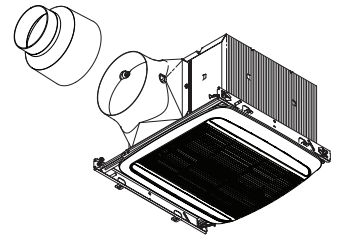


# MODEL XB50L1 VENTILATION FAN WITH LIGHT



### FEATURES

#### ULTRASMART™ DC Motor and Control Technology

- DC motor for efficiency well beyond ENERGY STAR® requirements.
- Can be used to comply with ASHRAE 62.2, LEED, ENERGY STAR® for Homes and CA Title 24.
- Powerful operation maintained over a wide range of real-world installations (CFM ratings maintained through at least 0.25" static pressure).
- Rated for Continuous Operation.

#### ULTRASILENT™ Sound Technology

- HVI certified, best-achievable <0.3 Sone level provides nearly silent operation for a relaxing environment.
- State-of-the-art blower and duct outlet design smooths airflow.
- High tech DC motor designed for nearly silent operation.

#### ULTRALUCENT™ Lighting Technology

##### LIGHTING / GRILLE:

- Highly efficient, 18 Watt, integrated LED, dimmable
- LED lasts up to 25,000 hours
- Unique, low profile design for wide light pattern
- Even lens diffusion eliminates hotspots

##### TO OPERATE FAN AND LIGHT:

- Use only an ON/OFF or timer switch to operate the fan.
- Use only an ON/OFF switch, timer switch or relay-switch to operate the LED light.
- The LED light can be used with some dimmable switches (see below).
- Both the fan and LED light can be put on one switch.

##### DIMMING CONTROLS :

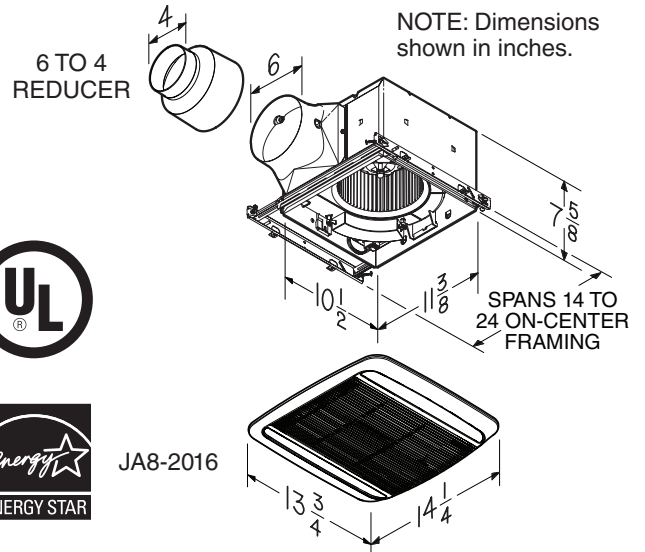
- May not be compatible with all dimmer controls
- Each application is unique and various factors such as load, common neutrals or other electrical products on the circuit can, in certain instances, cause variance in system performance.
- Dimmer model numbers vary slightly depending on color, packaging type, etc. such that variations of Model numbers may be suitable. Consult dimming system manufacturer for additional support in operation

\* For a list of compatible controls, see broan.com.

#### ULTRAQUICK™ Installation Technology

- Unique telescoping mounting frame fits through retrofit drywall opening to allow easy installation from the room side. No attic access needed!
  - Captive screws allow for easy new construction installation.
  - Mounting frame positioning tabs provide easy vertical positioning for new construction.
  - Easy to insert and remove snap-in housing. No screws required!
  - Easy to insert and remove snap-in blower.
  - Inside or outside duct connector and knockout plate mounting provides flexibility for new construction or retrofit.
- UL Listed for use over bathtubs and showers when connected to a GFCI protected branch circuit (ceiling mount only).  
UL Listed for use in insulated ceilings (Type IC).  
Use only ON/OFF switch, mechanical timer or relay-switched control.  
3-year warranty.

### DIMENSIONS



JA8-2016

Broan | 926 West State Street, Hartford, WI 53027 | 1 800-558-1711 | www.broan.com

REFERENCE	QTY.	REMARKS	Project
			Location
			Architect
			Engineer
			Contractor
			Submitted by
			Date



# PERFORMANCE SPECIFICATIONS

## MODEL XB50L1 VENTILATION FAN WITH LIGHT

### HVI PERFORMANCE

4" Duct				6" Duct					
0.1 Ps - Static Pressure (inH2O)				0.25 Ps	0.1 Ps - Static Pressure (inH2O)				0.25 Ps
Airflow (CFM)	Sound (Sones)	Power (Watts)	Efficacy (CFM/Watt)	Airflow (CFM)	Airflow (CFM)	Sound (Sones)	Power (Watts)	Efficacy (CFM/Watt)	Airflow (CFM)
50	< 0.3	5.3	9.4	50	50	< 0.3	4.9	11.8	48



HVI-2100 CERTIFIED RATINGS comply with new testing technologies and procedures prescribed by the Home Ventilating Institute, for off-the-shelf products, as they are available to consumers. Product performance is rated at 0.1 in. static pressure, based on tests conducted in a state-of-the-art test laboratory. Sones are a measure of humanly-perceived loudness, based on laboratory measurements.

### ELECTRICAL & WEIGHT

Volts	Hz	Amps*	Shipping Weight (lbs.)
120	60	0.3	13.9

\* Total connected load

