

# 30" Electric Slide-in Range 800 Series - Stainless Steel HEI8054U



## Features and Benefits

### Design

- Touch Control for Easier Operation of the Oven
- Heavy-duty Metal Knobs for a Premium Look and Feel

### Performance

- 11 Specialized Cooking Modes - Gourmet Cooking Made Easy
- Genuine European Convection for Even Baking Results on Multiple Racks.
- Temperature Conversion for Convection Cooking
- Fast Preheat Reduces Preheat Time

### Convenience

- Warming Zone
- One Oven Light to Better Monitor Cooking Progress
- Kitchen Timer
- Extra Large Door Window for Easy Monitoring of Cooking Process
- Star-K certified. 100°-450° F

### Capacity

- Large Capacity at 4.6 Cu Ft.
- Recessed 8 Pass Broil Element for Increased Capacity and Safety

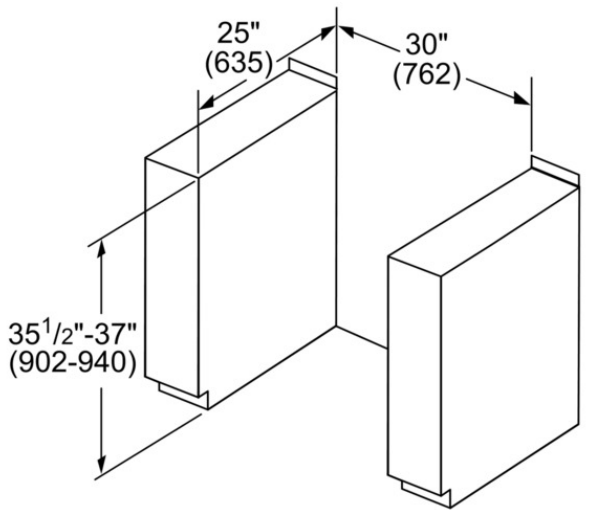
Notes: All height, width and depth dimensions are shown in inches. \*Please refer to installation instructions prior to making cutout. BSH reserves the absolute and unrestricted right to change product materials and specifications, at any time, without notice. Consult the product's installation instructions for final dimensional data and other details. Applicable product warranty can be found in a accompanying product literature or you may contact your account manager for further details.

For more information on our entire line of products, go to [boschappliances.com](http://boschappliances.com) or call 1-800-944-2904.

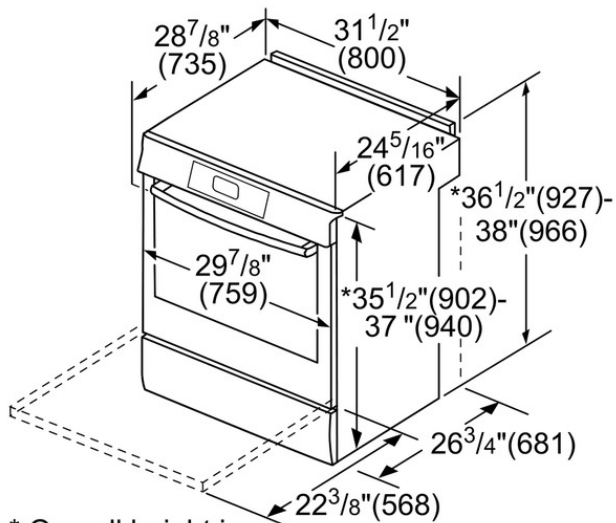
Copyright ©2014 BSH Home Appliances Corporation. All rights reserved. Bosch is a registered trademark of Robert Bosch GmbH.

Litho Date: 03/2014

# 30" Electric Slide-in Range 800 Series - Stainless Steel HEI8054U



measurements in mm



\* Overall height is adjustable via leveling legs.

measurements in inches (mm)

## Features

Total number of cooktop burners	5
Cooking method primary cavity	3rd element convection, Convection Bake, Convection Broil, Convection Roast, Conventional heat, Dough proving setting, Half width variable grill, Pizza setting, Sabbath function, Top heating, 1/3 bottom heat., warming, Warming drawer
Cleaning system - primary cavity	, Self Clean
Oven Control	electronical
Knob Material	Full metal
Included accessories	3 x Oven racks / upper, 1 x Temperature probe /upper

Sealed Burners	No
Number of Double grates	
Bake Element Wattages primary cavity (W)	2400
Broil Element Wattages primary cavity (W)	3800
Convection Element Wattages primary cavity (W)	2000
Number of gas burners	0
Location of 1st heating element	front left
Power of 1st burner (BTU)	
Location of 2nd heating element	back left
Power of 2nd burner (BTU)	
Location of 3rd heating element	middle back
Power of 3rd burner (BTU)	
Location of 4th heating element	back right
Power of 4th burner (BTU)	
Location of 5th heating element	front right
Power of 5th burner (BTU)	
Location of 6th heating element	
Power of 6th burner (BTU)	
Power of griddle element	
Display	red, white
Safety device	

## Technical Specification

UPC code	825225907138
Product color	Stainless steel
Gas type	
Alternative gas type	
Total BTU load	
Watts (W)	10500
Current (A)	40

Notes: All height, width and depth dimensions are shown in inches. \*Please refer to installation instructions prior to making cutout. BSH reserves the absolute and unrestricted right to change product materials and specifications, at any time, without notice. Consult the product's installation instructions for final dimensional data and other details. Applicable product warranty can be found in a accompanying product literature or you may contact your account manager for further details.

For more information on our entire line of products, go to [boschappliances.com](http://boschappliances.com) or call 1-800-944-2904.  
Copyright ©2014 BSH Home Appliances Corporation. All rights reserved. Bosch is a registered trademark of Robert Bosch GmbH.

Litho Date: 03/2014

Gross weight (lbs)

248