

BERTAZZONI MASTER SERIES

30" CONVECTION SPEED OVEN

MAS SO30 X

HIGHLIGHTS

- Bertazzoni ovens use stainless steel metal knobs to select cooking modes and temperature, while the intuitive interface lets users program time and other functions.
- The European convection system ensures even roasting and baking on multiple levels with no flavor crossover.
- All Bertazzoni ovens install flush with the cabinet doors and integrate seamlessly with specialty ovens and warming drawers in both vertical and horizontal combinations.

FEATURES

Oven type	combination electric convection and grill with microwave
Oven grill type	electric
Oven controls	knobs and touch
Timer	digital programmer
Inner oven door	double glass
Auto cooking modes	5 preset
Cooling fan	yes
Oven handle	solid metal
Oven door finishing	stainless steel
Cavity finishing	stainless steel
Convection system	European ring heating element
Oven levels	2
Oven lights	single
Tray	1 glass turntable
Grill trivet for trays	yes

TECHNICAL SPECIFICATIONS

Voltage, frequency	208-240 V/60Hz
Oven volume	1.34 ft ³
Max Amp Usage	15 A – 3300 W
Certification	cETLus
Warranty	2 years parts and labor



TO COOK BEAUTIFULLY
WWW.BERTAZZONI.COM

FUNCTIONS



MICROWAVE



BROILER
MICROWAVE



BROILER



CONVECTION
BROILER



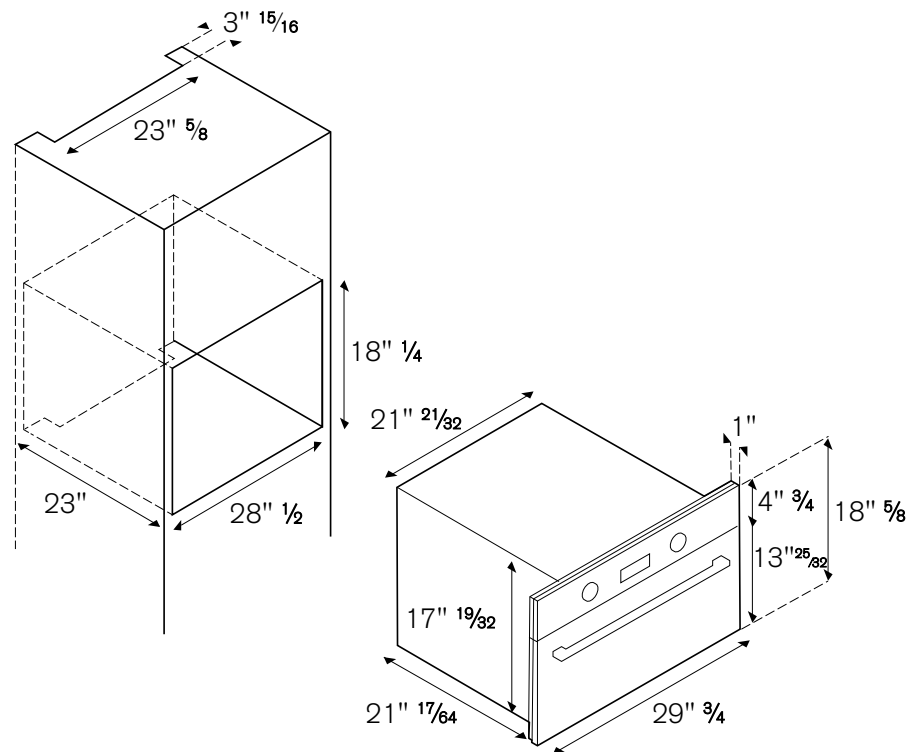
CONVECTION



CONVECTION
MICROWAVE

INSTALLATION INSTRUCTIONS

MAS SO30 X



The minimum gap between the kitchen cabinet upper or lower panel and the appliance is 1/8. This dimension must be added to the height listed in the drawings

For any combinations of built-in models, please see related installation drawings

Bertazzoni recommends to operate the appliance after it has been installed in a cabinet. The kitchen cabinets shall be made of materials capable of withstanding temperatures at least 117°F (65°C) above room temperature in order to avoid possible damage to the cabinets during oven usage. For further installation instructions refer to the installation manual.

Disclaimer: while every effort has been made to insure the accuracy of the information contained in this brochure, Fratelli Bertazzoni reserves the right to change any part of the information at any time without notice.

Fratelli Bertazzoni, Bertazzoni and the winged wheel brand icon are registered trademarks of Bertazzoni Spa.