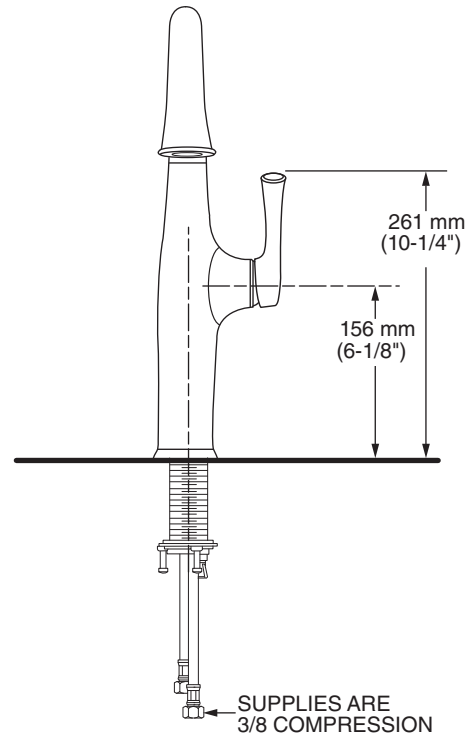
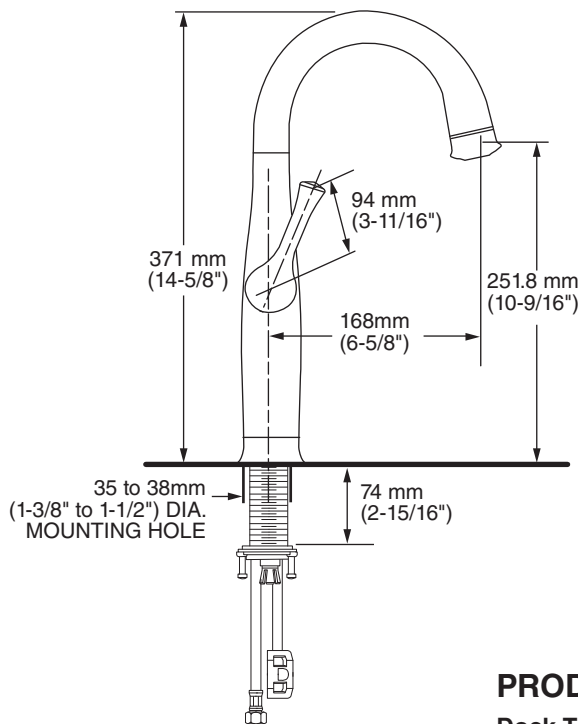




MODEL NUMBER:

☐ 4968.410 Pull-Down Bar Faucet



GENERAL DESCRIPTION:

Single control bar faucet featuring brass swivel spout and single function pull-down spray head. 35 mm ceramic disc valve cartridge, metal body and ADA metal lever handle. Includes integrated color coded braided stainless steel supply hoses with 3/8" compression connections. Durable braided nylon spray hose is complete with two integral check valves. Maximum flow rate is 1.5 gpm / 5.7 L/ min. Metal mounting shank with brass fixation ring. Fitting can be mounted with or without escutcheon plate (sold separately).

PRODUCT FEATURES:

- Dock-Tite™ spray-head docking system:** Magnetic technology to ensure spray head remains in place when not in use.
- Re-Trax™ spray head retraction system:** Spray hose technology system to ensure smooth pull-out, operation and retraction of spray head.
- Ceramic Disc Valve Cartridge:** Precise temperature and flow control with a lifetime of drip-free, maintenance-free performance.
- Lead Free:** Faucet contains ≤ 0.25% total lead content by weighted average.
- Integral Check Valves:** Prevents back flow.
- Available Exclusively at Ferguson® Showrooms.

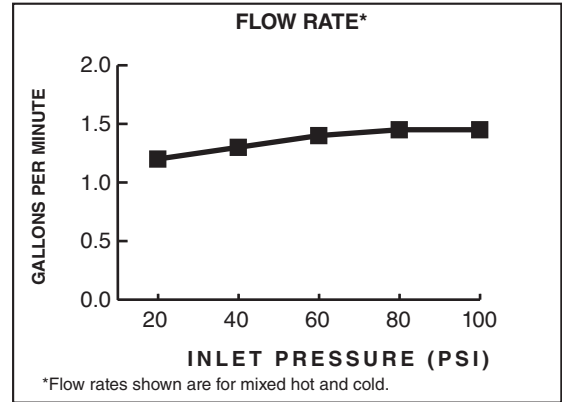
SUGGESTED SPECIFICATION:

Single control bar pull-down faucet shall feature a brass swivel spout with pull-down spray including two check valves, metal body and handle. Shall also feature washerless 35 mm ceramic disc valve cartridge and flexible Stainless Steel supply hoses. Faucet shall be American Standard Model # 4968.410._____.

CODES AND STANDARDS


These products meet or exceed the following codes and standards:

- ANSI A117.1**
- ASME A112.18.1**
- CSA B125.1**
- NSF 61/Section 9**
- NSF 372**



1.5 gpm/5.7 L/min. FLOW RATE

Product Number	Description	Finish Options		
		Polished Chrome	PVD Stainless Steel	Legacy Bronze
		002	075	278
4968.410	Estate Pull-Down Bar Faucet			

 Meets the American Disabilities Act Guidelines and **ANSI A117.1** Requirements for the physically challenged.