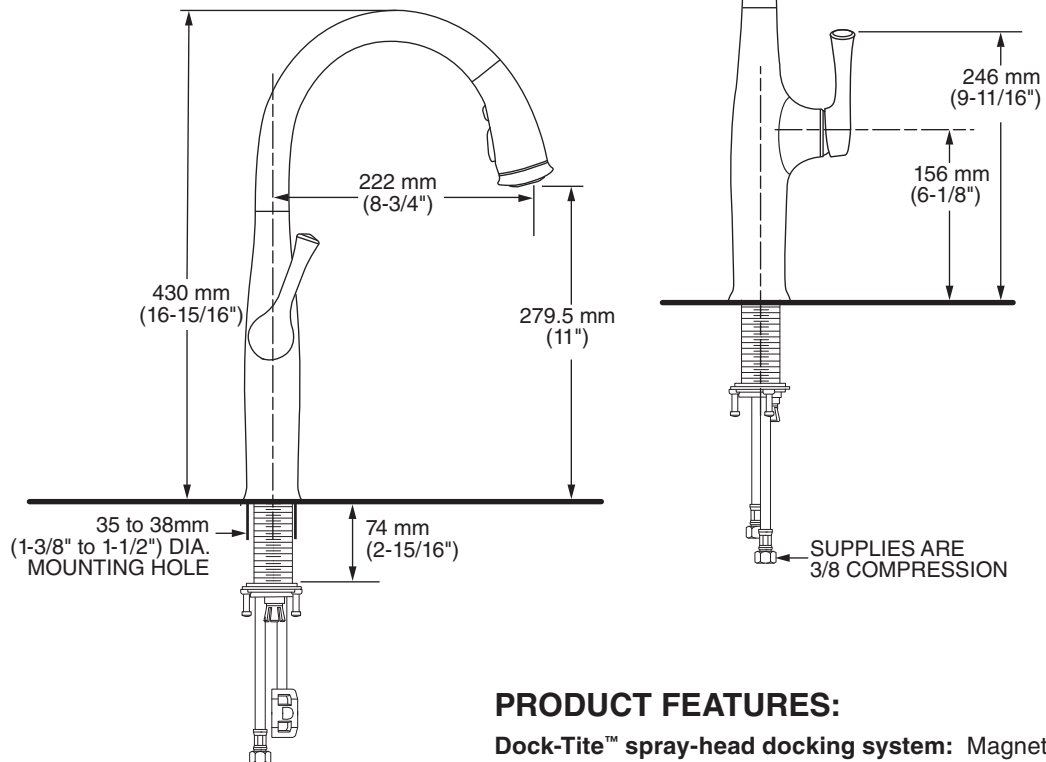


LEAD
FREE

MODEL NUMBER:

☐ 4968.300 Pull-Down Kitchen Faucet



GENERAL DESCRIPTION:

Single control kitchen faucet featuring brass swivel spout and semi-nested pull-down two function spray head with pause. 35 mm ceramic disc valve cartridge, metal body and ADA metal lever handle. Includes integrated color coded braided stainless steel supply hoses with 3/8" compression connections. Durable braided nylon spray hose is complete with two integral check valves. Maximum flow rate is 1.5 gpm / 5.7 L / min. Metal mounting shank with brass fixation ring. Fitting can be mounted with or without escutcheon plate (sold separately).

PRODUCT FEATURES:

Dock-Tite™ spray-head docking system: Magnetic technology to ensure spray head remains in place when not in use.

Re-Trax™ spray head retraction system: Spray hose technology system to ensure smooth pull-out, operation and retraction of spray head.

Ceramic Disc Valve Cartridge: Precise temperature and flow control with a lifetime of drip-free, maintenance-free performance.

Lead Free: Faucet contains ≤ 0.25% total lead content by weighted average.

Integral Check Valves: Prevents back flow.

• Available Exclusively at Ferguson® Showrooms.

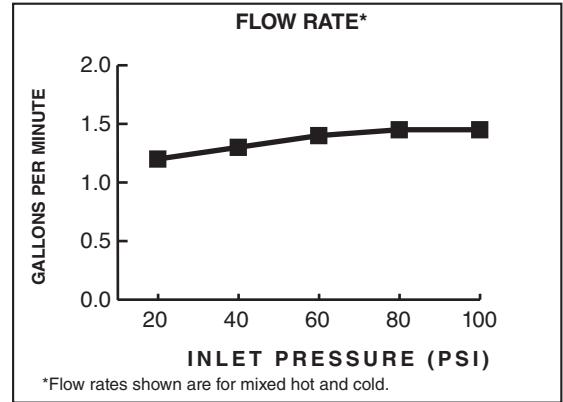
SUGGESTED SPECIFICATION:

Single control kitchen pull-down faucet shall feature a high arc brass swivel spout with semi-nested spray head and metal lever handle. Shall also feature 35 mm washerless ceramic disc valve cartridge and flexible Stainless Steel supply hoses. Faucet shall be American Standard Model # 4968.300._____.

CODES AND STANDARDS


These products meet or exceed the following codes and standards:

- ANSI A117.1**
- ASME A112.18.1**
- CSA B125.1**
- NSF 61/Section 9**
- NSF 372**



1.5 gpm/5.7 L/min. FLOW RATE

Product Number	Description	Finish Options		
		Polished Chrome	PVD Stainless Steel	Legacy Bronze
		002	075	278
4968.300	Estate Pull-Down Kitchen Faucet			

 Meets the American Disabilities Act Guidelines and **ANSI A117.1** Requirements for the physically challenged.