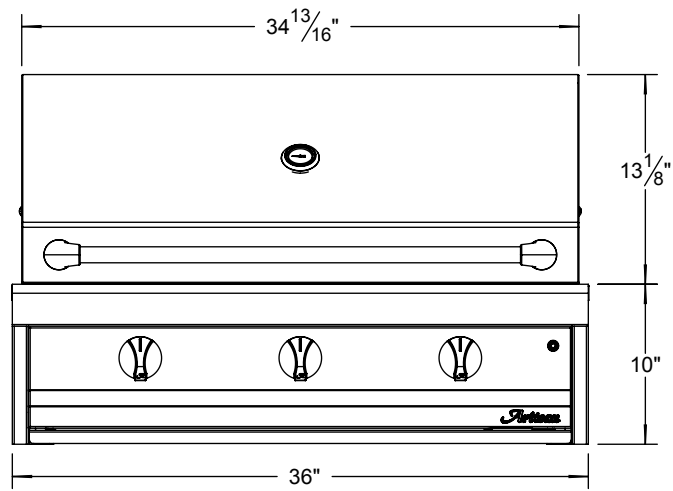
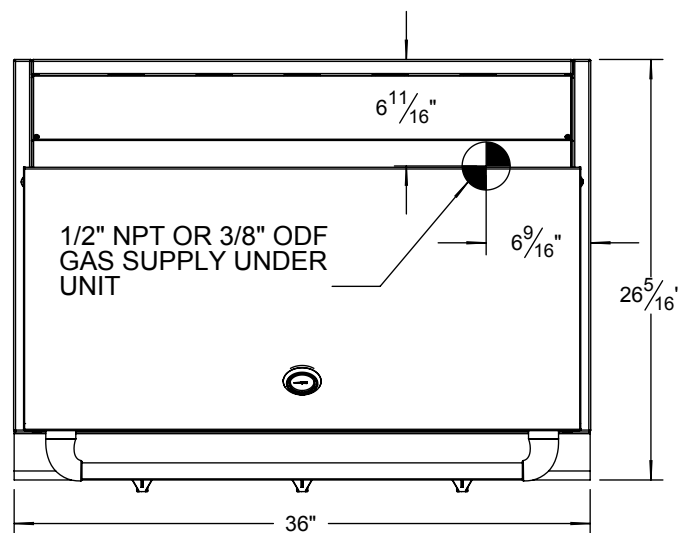
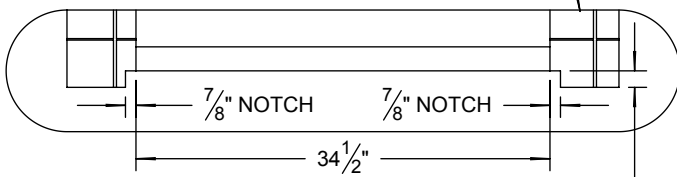
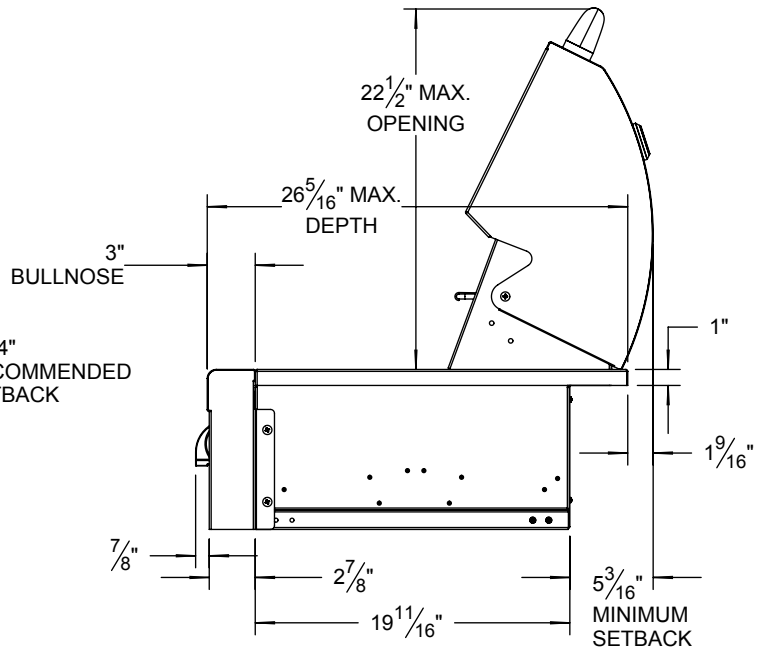
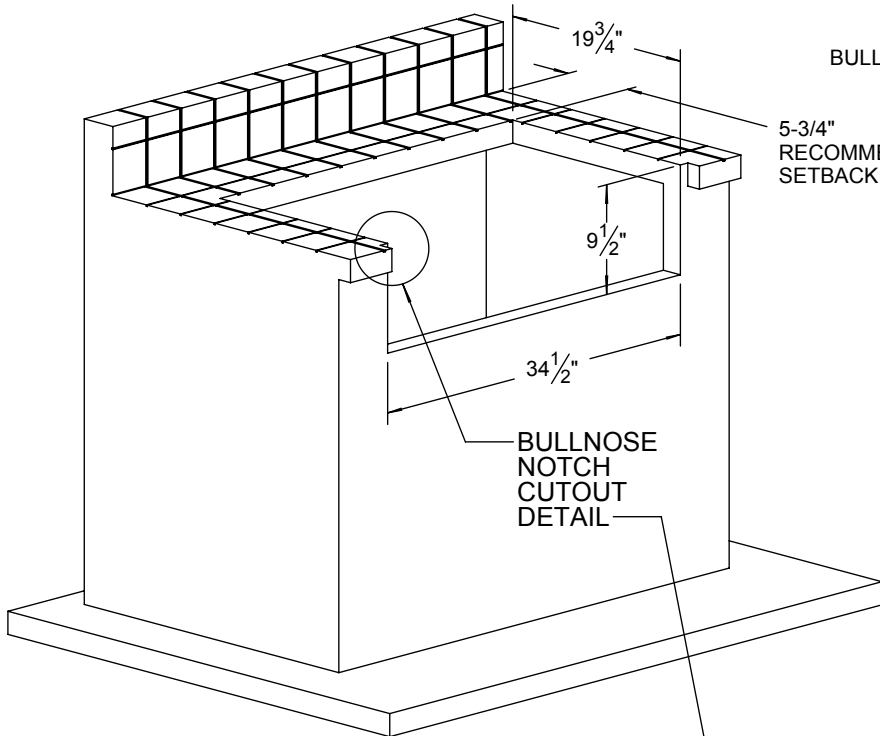


**TYPICAL AAE-36 INSTALLATION**



**COUNTERTOP CUTOUT REQUIREMENTS**



**SPECIFICATIONS:**

BTUH = 60,000  
 FUEL NG @ 5 W.C. / LP @ 10 W.C.  
 ELECTRICAL POWER: 9 VDC IGNITION SYSTEM  
 GAS CONNECTION: 1/2" NPT (NG) OR 3/8" ODF (LP)

**NOTE:**

COUNTER MUST HAVE THE PROPER GAS SUPPLY FOR YOUR ARTISAN BBQ.