

CT9570SLSS

GE Cafe™ Series 30 in. Built-In Double Convection Wall Oven

DIMENSIONS AND INSTALLATION INFORMATION (IN INCHES)

MOST 30" WALL CABINETS CAN BE USED WITH THIS UNIT.

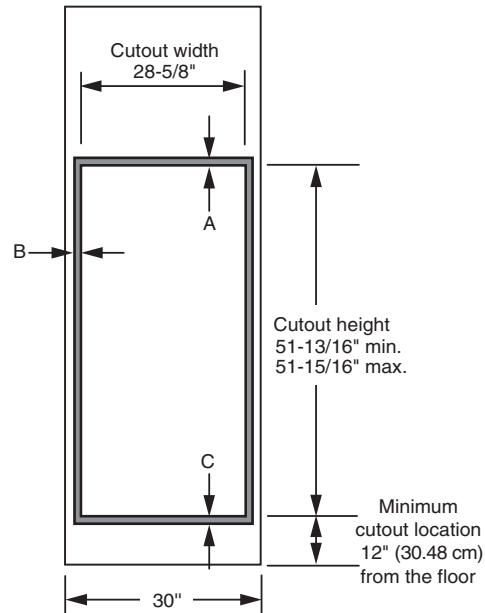
NOTE: These ovens are not approved for stackable installations. Cabinets installed adjacent to wall ovens must have an adhesion spec of at least a 194°F temperature rating.

Door handle protrudes 2-1/2" from door face. Cabinets and drawers on adjacent 45° and 90° walls should be placed to avoid interference with the handle.

Electric wall ovens are not approved for installation with a plug and receptacle. They must be hard wired in accordance with installation instructions.

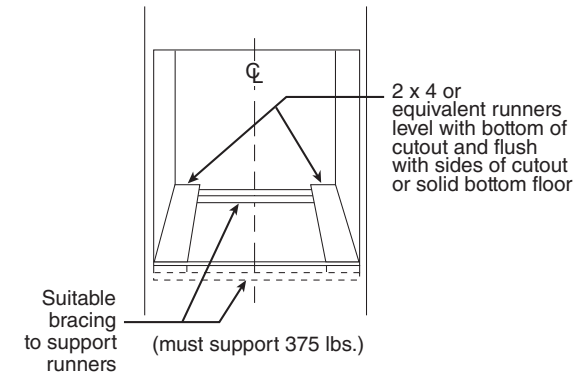
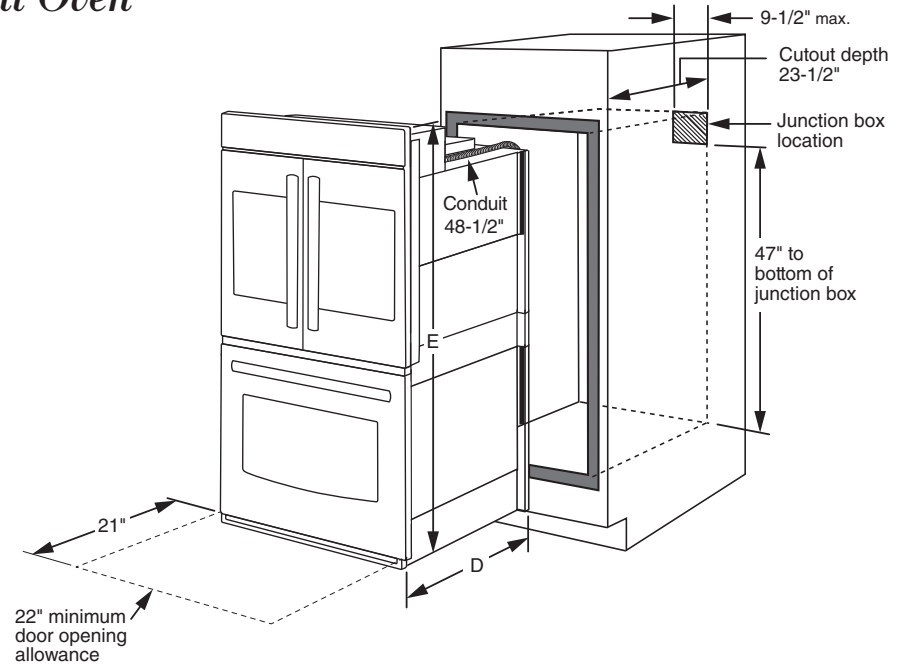
INSTALLATION INFORMATION:

Before installing, consult installation instructions packed with product for current dimensional data.



KW RATING	
240V	9.0
208V	6.8
BREAKER SIZE	
240V	40 Amps
208V	40 Amps

CT9570	
Cabinet	30"
A – Overlap of oven at top of cutout	1 1/4"
B – Overlap of oven over side of edges of cutout	3/4"
C – Overlap of oven at bottom of cutout	1-1/4"
Oven	
D – Overall depth	27-3/4"
E – Overall height with trim	53"
F – Overall width	29-3/4"



For answers to your Monogram, GE Cafe™ Series, GE Profile™ Series or GE Appliances product questions, visit our website at geappliances.com or call GE Answer Center® Service, 800.626.2000.



Listed by Underwriters Laboratories



CT9570SLSS

GE Cafe™ Series 30 in. Built-In Double Convection Wall Oven

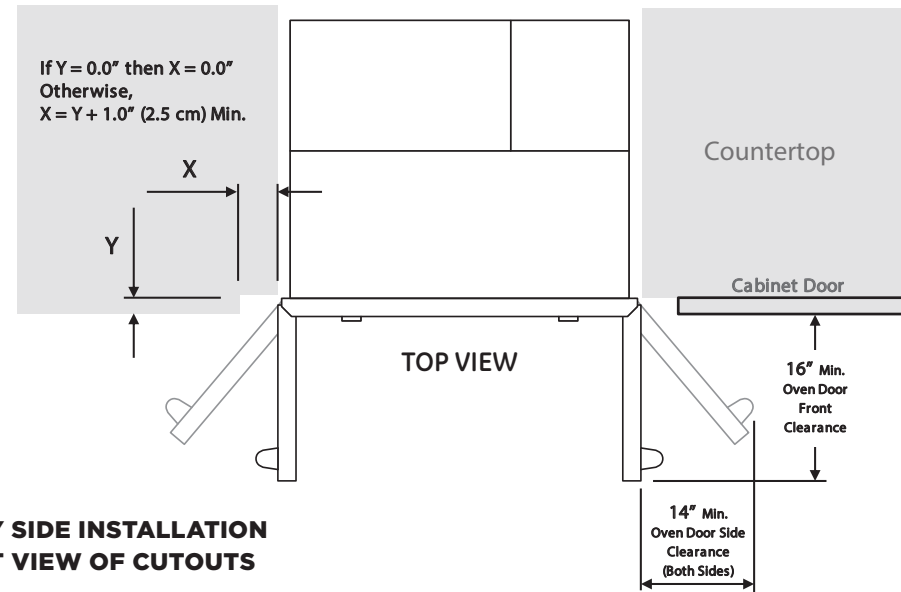
DIMENSIONS AND INSTALLATION INFORMATION (IN INCHES)

NOTE: A minimum gap of 14" from either side of the wall oven to an adjacent 45 or 90 cabinet, drawer or was is required to avoid interference with the opening of the doors. The handles protrude 2-1/2" from the door face.

Installation information: Before installing, consult installation instructions packed with products for current dimensional data and for alternate installation options.

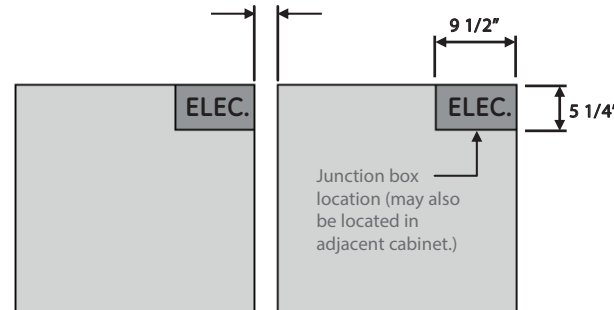
THIS MODEL IS NOT APPROVED FOR FLUSH-MOUNT INSTALLATION

INSTALLATION TO ADJACENT COUNTERTOP AND CABINET DOORS



SIDE BY SIDE INSTALLATION FRONT VIEW OF CUTOUTS

If both ovens are French Door models, then 30" min.
If the second oven is a drop down door model, then 14" min.



For answers to your Monogram, GE Cafe™ Series, GE Profile™ Series or GE Appliances product questions, visit our website at geappliances.com or call GE Answer Center® Service, 800.626.2000.

CT9570SLSS

GE Cafe™ Series 30 in. Built-In Double Convection Wall Oven

FEATURES AND BENEFITS

French door design - Inspired by commercial kitchen designs, precision engineering allows for one-handed opening of both oven doors at the same time

True European Convection with Direct Air (both ovens) - Bakes evenly as warm air blows from the top in and around bakeware

Electronic dial controls - The glass touch display and ergonomic control knobs are easy to operate and clean

WiFi Connect - Wirelessly control oven functions from your smartphone

Self-clean, heavy-duty roller racks (both ovens) - Easily access items with racks that glide smoothly

Self-clean with Steam Clean option (both ovens) - Clean your oven the way you want

Halogen oven lighting - Easily see how your food is baking

Double oven 10.0 cu. ft. total oven capacity (5.0 cu. ft. both ovens) - Large meals are easy with capacity that fits more at one time

Ten-pass bake element - Even baking is assured with heat that covers more surface area

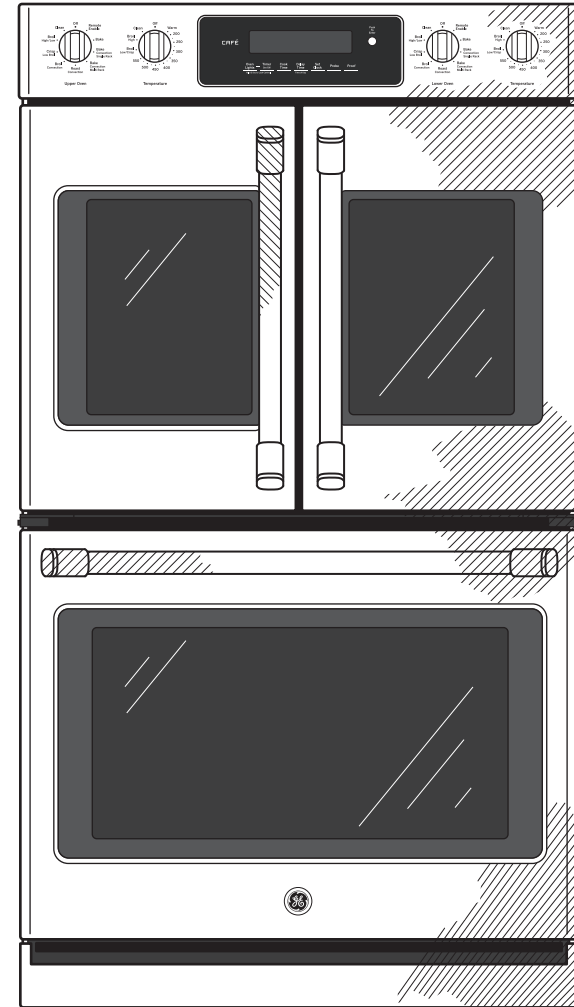
Ten-pass dual broil element - Large and small dishes brown evenly with two, full-coverage elements

Model CT9570SLSS – Stainless Steel

GUARANTEED FIT

Replacing a similar wall oven from GE or another brand? GE wall ovens are guaranteed for an exact fit to make replacement easy

Visit geappliances.com for more info



For answers to your Monogram, GE Cafe™ Series, GE Profile™ Series or GE Appliances product questions, visit our website at geappliances.com or call GE Answer Center® Service, 800.626.2000.