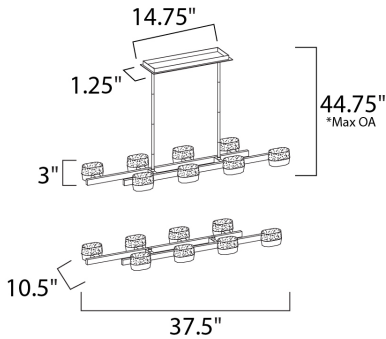




PRODUCT DESCRIPTION

This contemporary design feature oval shaped die cast cups finished in Polished Chrome which supports matching shape bubble glass shades. Each cup has dual LED modules which both light the glass shade above and provide down light below.



*max overall height

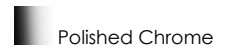
MEASUREMENTS

- DIMENSION : 10.5" L x 37.5" W x 3" H
- MAX OAH : 44.75" OAH
- CANOPY : 1.25" W x 1" H x 14.75" L
- HANGING WEIGHT : 20.46 lb

LAMPING

- INPUT VOLTAGE : 120V
- LUMENS : 3,360 Rated
- BULB : 16 x 3W LED PCB Integrated , 48W Total
- BULB INCLUDED : (Integrated)
- DIMMABLE : Triac CL
- COLOR_TEMP : 3000K

FINISHES OPTION



GLASS

Etched Bubble 89

MATERIAL

Steel

RATINGS

cETLus
Dry Location



ADDITIONAL

ADJUSTABLE
OPERATING TEMPERATURE:
-20°C (-4°F), 40°C (104°F)

Always consult a qualified electrician before installing any lighting product.



WESTERN DISTRIBUTION CENTER (HEADQUARTER)
253 NORTH VINELAND AVE | CITY OF INDUSTRY, CA 91746

EASTERN DISTRIBUTION CENTER
4200 SHIRLEY DR. | ATLANTA, GA 30336

P. 626.956.4200 | F. 626.956.4225 | et2online.com